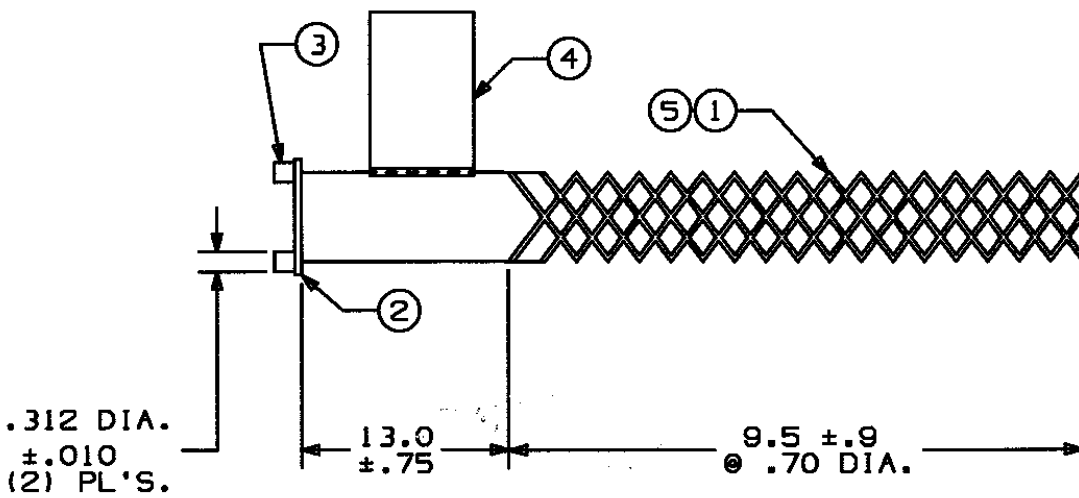


### COMPONENT LIST

ITEM NO.	DESCRIPTION	MAT'L	COMPONENT NO.	QTY.
1	STRAND	T.B.	302-74-126	6
2	LINK	BRZ	372-55-002	1
3	LUG	BRZ	372-56-011	2
4	TAG	MYLAR		1
5	STRAND	T-BRZ	302-74-051	6



IN ACCEPTING OUR DRAWINGS OR BLUEPRINTS FOR QUOTATION OR OTHER PURPOSES, YOU AGREE NOT TO DISCLOSE TO OTHERS THE IDEAS, INFORMATION, OR DESIGNS THEREIN SHOWN, AND THAT YOU WILL MAKE NO USE OF OUR DRAWINGS OR BLUEPRINTS OR OF THE IDEAS, INFORMATION, OR DESIGNS THEREIN SHOWN WITHOUT OUR PERMISSION.

TITLE GRIP - HEAVY DUTY - SERVICE DROP  
 CLOSED MESH, SINGLE-DOUBLE WEAVE  
 UNIVERSAL BALE  
 DIA. RA. .64-.75, DESCRIPTION: NAU-11  
 APP. BRK. STR. (LBS.) = 1390

TOLERANCES UNLESS OTHERWISE SPECIFIED  
 .X = ±.5  
 .XX = ±.05  
 .XXX = ±.015  
 ANGLE TOL. ± 2°

HUBBELL INCORPORATED  
 KELLEMS DIVISION  
 STONINGTON, CT

PROJECT NO.

DR. BY KJW	APP. BY MLF
TR. BY	SCALE NONE
CHK. BY JLW	DATE 3/19/93

DR. NO.

022-17-023

REV.

H