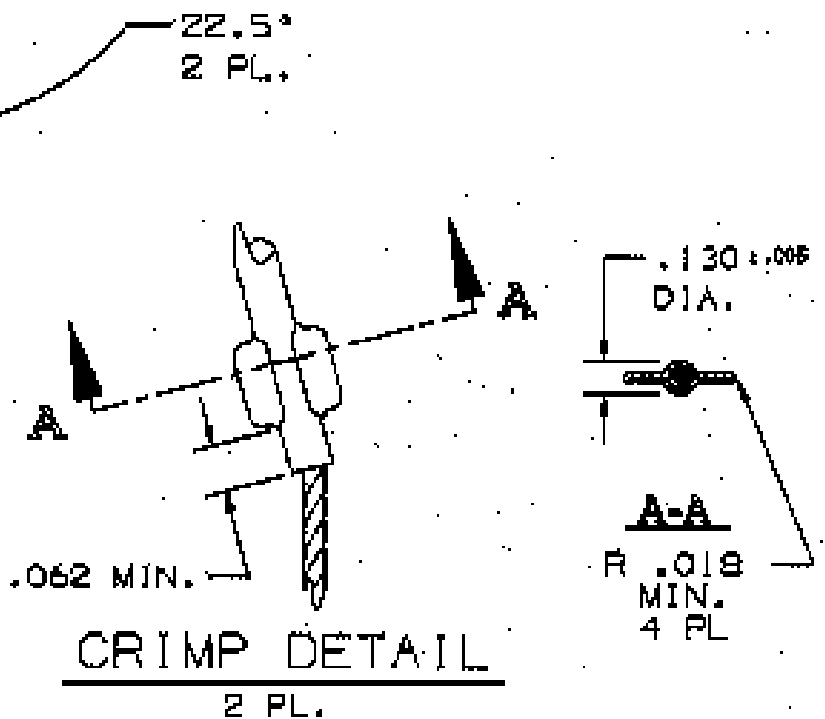


COMPONENT LIST				
ITEM NO.	DESCRIPTION	MAT'L	COMPONENT NO.	QTY.
1	STRAND	T BRZ	302-01-001	-
2	EYE	SST	904-18-087	1
3	TAG	NYLAR		1



IN ACCEPTING OUR DRAWINGS OR BLUEPRINTS FOR QUOTATION OR OTHER PURPOSES, YOU AGREE NOT TO DISCLOSE TO OTHERS THE IDEAS, INFORMATION, OR DESIGNS THEREIN SHOWN, AND THAT YOU WILL MAKE NO USE OF OUR DRAWINGS OR BLUEPRINTS OR OF THE IDEAS, INFORMATION, OR DESIGNS THEREIN SHOWN WITHOUT OUR PERMISSION.

TITLE GRIP, STD. SUPPORT, CLOSED MESH, SINGLE WEAVE, SINGLE "U" EYE DIA. RA .18-.25 APPROX BRK STR. 300# ±20%

TOLERANCES UNLESS OTHERWISE SPECIFIED: K ± .005 XX ± .008 XXX ± .018 ANGLE TOL. ± 2'	HUBBELL INCORPORATED VALLEYS DIVISION STONINGTON, CT	
	DR. BY DF	APP. BY JLW
PROJECT NO.	TR. BY JVO	SCALE N/A
	CHK. BY JLW	DATE 1/25/95

DR. NO. 022-29-1000

REV. J

SHEET 1 OF 1

SUPERSEDES DWG DATED 8-31-81