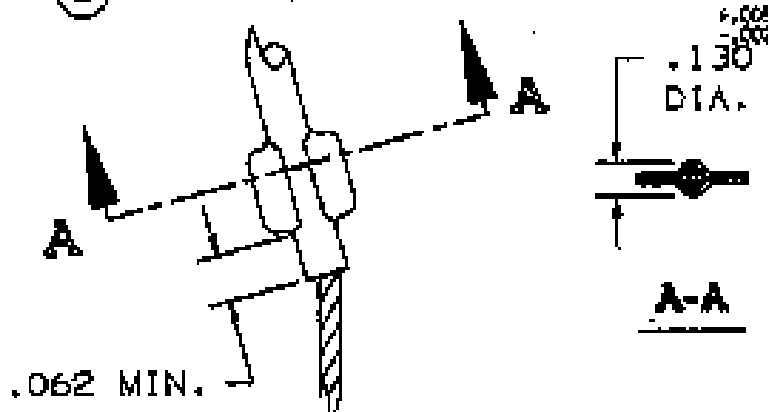
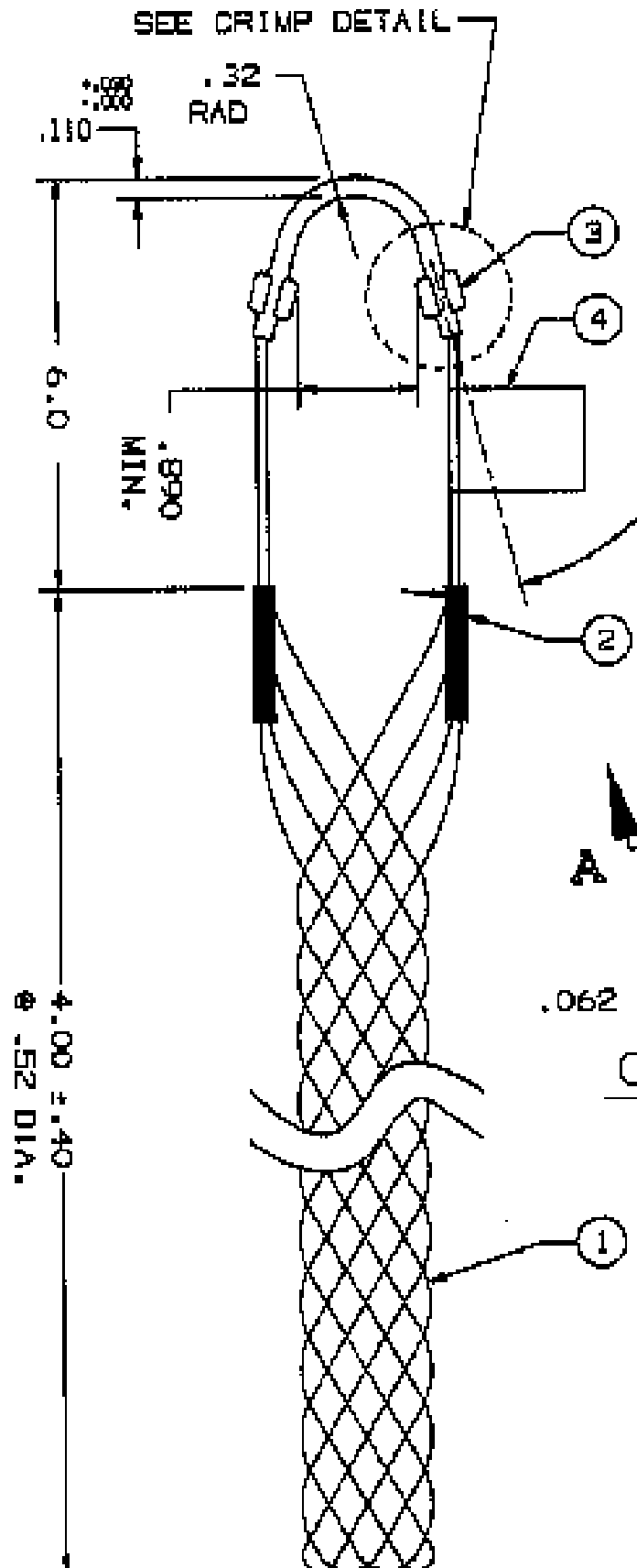


COMPONENT LIST

ITEM NO.	DESCRIPTION	MAT'L	COMPONENT NO.	QTY.
1	STRAND	T BRZ	302-01-002	-
2	EQUALIZER	BRZ	362-07-001	2
3	EYE	SS	304-08-087	1
4	TAG	NYLAR		1



CRIMP DETAIL
2 PL.

IN ACCEPTING OUR DRAWINGS OR BLUEPRINTS FOR QUOTATION OR OTHER PURPOSES, YOU AGREE NOT TO DISCLOSE TO OTHERS THE IDEAS, INFORMATION, OR DESIGNS THEREIN SHOWN, AND THAT YOU WILL MAKE NO USE OF OUR DRAWINGS OR BLUEPRINTS OR OF THE IDEAS, INFORMATION, OR DESIGNS THEREIN SHOWN WITHOUT OUR PERMISSION.

TITLE GRIP, FIBER OPTIC SUPPORT, CLOSED MESH, SINGLE WEAVE, SINGLE "U" EYE DIA, RA. .46-.58 APPROX BRK STR. 400# ±20%

TOLERANCES UNLESS OTHERWISE SPECIFIED X = ± .005 XX = ± .008 XXX = ± .015 ANGLE TOL. = ± 2°	HILBELL INCORPORATED HELLENS DIVISION STONINGTON, CT
PROJECT NO.	DR. BY OF APP. BY JLM TR. BY RDM SCALE N/A CHK. BY JLM DATE 5/28/95

DR. NO. 022-29-1004 REV. F