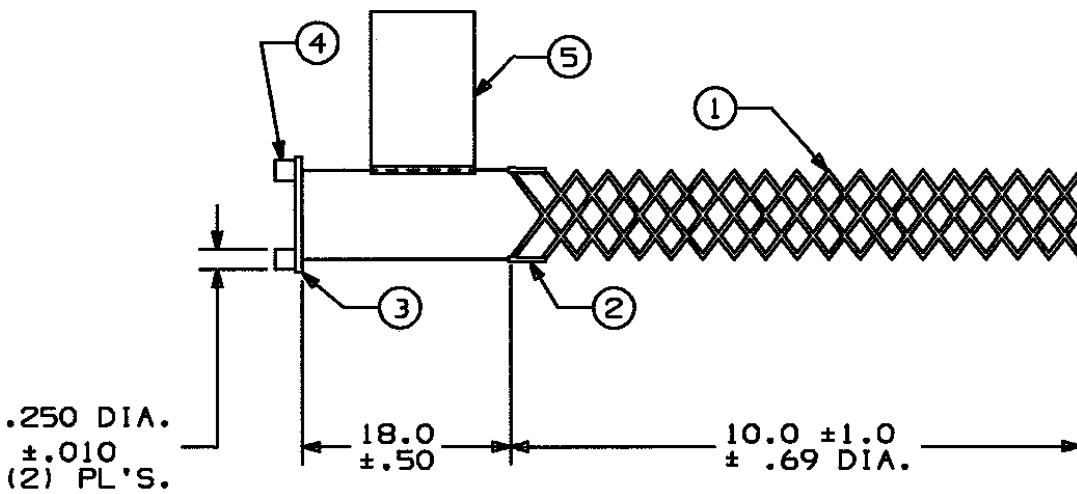


COMPONENT LIST

ITEM NO.	DESCRIPTION	MAT'L	COMPONENT NO.	QTY.
1	STRAND	SST	304-01-010	
2	EQUALIZER	BRZ	362-47-002	2
3	LINK	BRZ	372-55-001	1
4	LUG	BRZ	372-56-007	2
5	TAG	MYLAR		1



IN ACCEPTING OUR DRAWINGS OR BLUEPRINTS FOR QUOTATION OR OTHER PURPOSES, YOU AGREE NOT TO DISCLOSE TO OTHERS THE IDEAS, INFORMATION, OR DESIGNS THEREIN SHOWN, AND THAT YOU WILL MAKE NO USE OF OUR DRAWINGS OR BLUEPRINTS OR OF THE IDEAS, INFORMATION, OR DESIGNS THEREIN SHOWN WITHOUT OUR PERMISSION.

TITLE:

GRIP - SST - STANDARD SUPPORT
CLOSED MESH - SINGLE WEAVE
UNIVERSAL BALE
DIA. RA. .63-.74
DESCRIPTION: RU 062 SS-18
APP. BRK. STR. (LBS.) = 2060

TOLERANCES UNLESS OTHERWISE SPECIFIED
.XX = ±.05
.XXX = ±.015
.XXXX = ±.0025
ANGLE TOL. ± 2°

HUBBELL INCORPORATED
KELLEMS DIVISION
STONINGTON, CT

DR. BY: KJW	APP. BY: MLF
TR. BY	SCALE NONE
CHK. BY	DATE: 3/19/93

DR. NO.

024-01-052

REV.

F