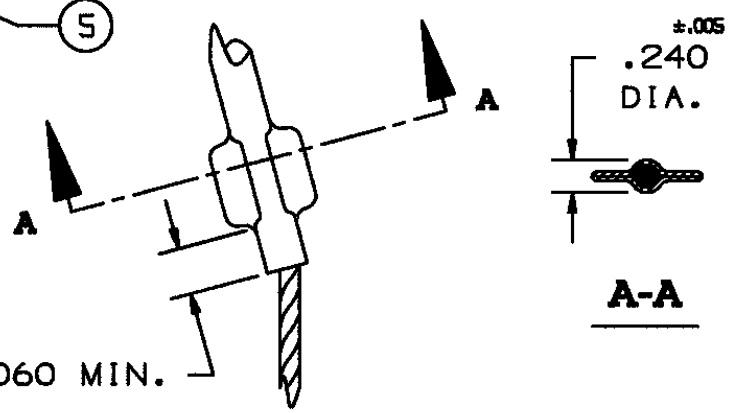
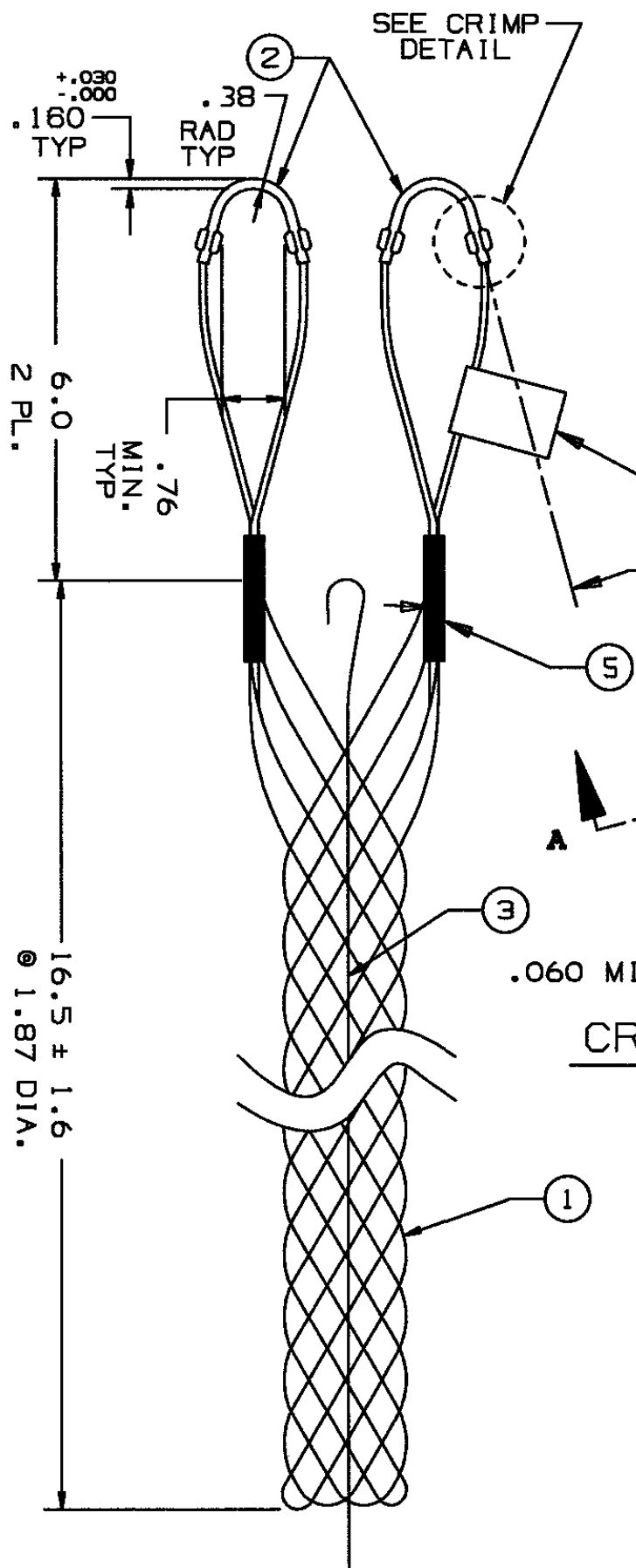


COMPONENT LIST				
ITEM NO.	DESCRIPTION	MAT'L	COMPONENT NO.	QTY.
1	STRAND	SST	304-01-008	-
2	EYE	SST	304-46-079	2
3	ROD	SST	304-53-014	1
4	TAG	MYLAR		
5	EQUALIZER	SST	304-48-009	2



CRIMP DETAIL
4 PL.

IN ACCEPTING OUR DRAWINGS OR BLUEPRINTS FOR QUOTATION OR OTHER PURPOSES, YOU AGREE NOT TO DISCLOSE TO OTHERS THE IDEAS, INFORMATION, OR DESIGNS THEREIN SHOWN, AND THAT YOU WILL MAKE NO USE OF OUR DRAWINGS OR BLUEPRINTS OR OF THE IDEAS, INFORMATION, OR DESIGNS THEREIN SHOWN WITHOUT OUR PERMISSION.

TITLE GRIP, STANDARD SUPPORT, SPLIT ROD CLOSING, SST, SINGLE WEAVE, DOUBLE EYE DIA. RA. 1.75-1.99 APPROX. BRK. STR. 5000# ±20%

TOLERANCES UNLESS OTHERWISE SPECIFIED .X = ±.5 .XX = ±.05 .XXX = ±.015 ANGLE TOL. ± 2°	HUBBELL INCORPORATED KELLEMS DIVISION STONINGTON, CT	
	DR. BY AWF	APP. BY FFS
PROJECT NO.	TR. BY DJG	SCALE N/A
	CHK. BY FFS	DATE 12/8/97

DR. NO.	REV.
024-03-008	H

SUPERSEDES DRAWING DATED 11/19/79