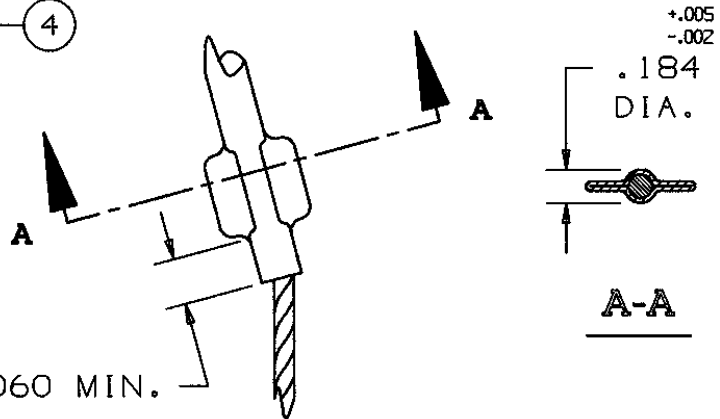
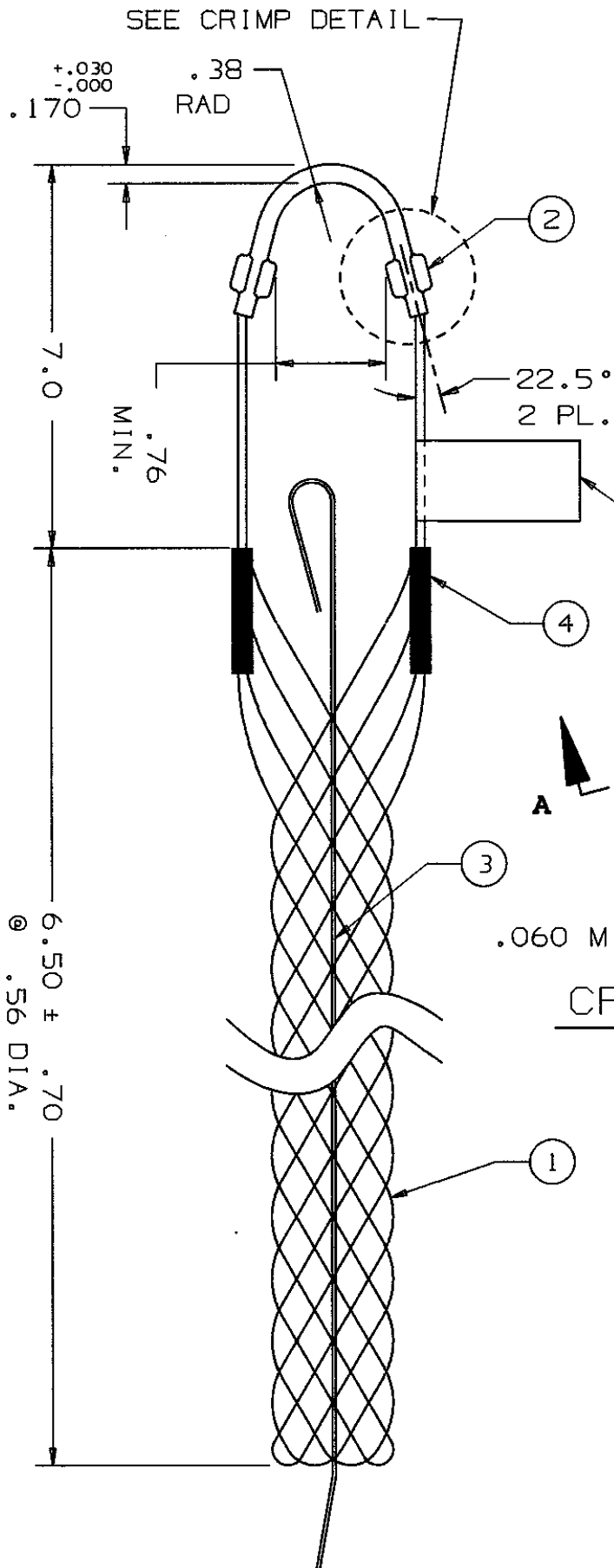


### COMPONENT LIST

ITEM NO.	DESCRIPTION	MAT'L	COMPONENT NO.	QTY.
1	STRAND	SST	304-01-001	-
2	EYE	SST	304-46-078	1
3	ROD	SST	304-53-005	1
4	EQUALIZER	BRZ	362-47-002	2
5	TAG	MYLAR		1



### CRIMP DETAIL

IN ACCEPTING OUR DRAWINGS OR BLUEPRINTS FOR QUOTATION OR OTHER PURPOSES, YOU AGREE NOT TO DISCLOSE TO OTHERS THE IDEAS, INFORMATION, OR DESIGNS THEREIN SHOWN, AND THAT YOU WILL MAKE NO USE OF OUR DRAWINGS OR BLUEPRINTS OR OF THE IDEAS, INFORMATION, OR DESIGNS THEREIN SHOWN WITHOUT OUR PERMISSION.

TITLE GRIP, SST, STD, SUPPORT, SPLIT-ROD CLOSING, SINGLE WEAVE, SINGLE EYE DIA. RA. .50-.62 APPROX. BRK. STR. 1050# ±20%

TOLERANCES UNLESS OTHERWISE SPECIFIED  
.X = ±.5  
.XX = ±.05  
.XXX = ±.015  
ANGLE TOL. ± 2°

HUBBELL INCORPORATED  
KELLEMS DIVISION  
STONINGTON, CT

DR. BY FBR APP. BY PFS

PROJECT NO.

TR. BY SCALE N/A

CHK. BY PFS

DATE 12-13-93

DR. NO.

REV.

024-03-013

H