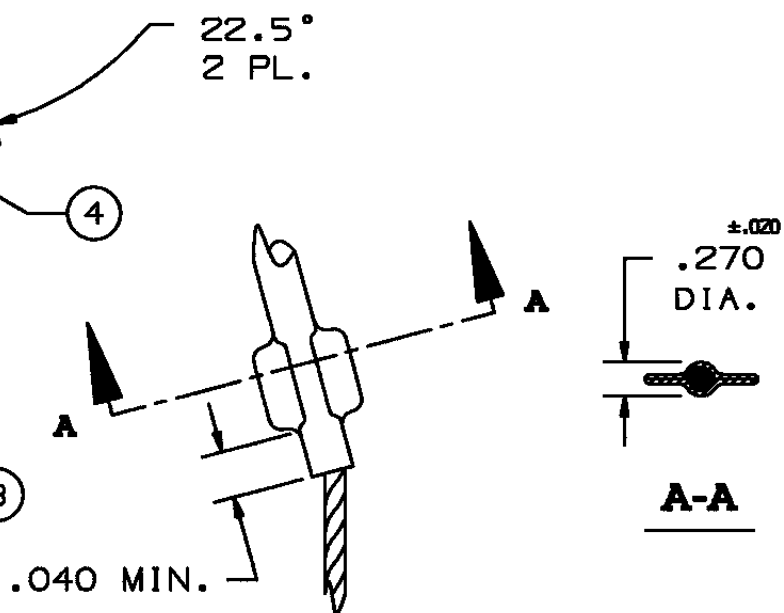


COMPONENT LIST

| ITEM NO. | DESCRIPTION | MAT'L | COMPONENT NO. | QTY. |
|----------|-------------|-------|---------------|------|
| 1 | STRAND | SST | 304-01-008 | - |
| 2 | EYE | SST | 304-46-080 | 1 |
| 3 | ROD | SST | 304-53-013 | 1 |
| 4 | EQUALIZER | SST | 304-48-008 | 2 |
| 5 | TAG | MYLAR | | 1 |
| | | | | |
| | | | | |
| | | | | |
| | | | | |



CRIMP DETAIL
2 PL.

IN ACCEPTING OUR DRAWINGS OR BLUEPRINTS FOR QUOTATION OR OTHER PURPOSES, YOU AGREE NOT TO DISCLOSE TO OTHERS THE IDEAS, INFORMATION, OR DESIGNS THEREIN SHOWN, AND THAT YOU WILL MAKE NO USE OF OUR DRAWINGS OR BLUEPRINTS OR OF THE IDEAS, INFORMATION, OR DESIGNS THEREIN SHOWN WITHOUT OUR PERMISSION.

TITLE GRIP, STD. SUPPORT, SPLIT-ROD CLOSING, SST SINGLE WEAVE, SINGLE EYE
DIA. RA. 1.50-1.74
APPROX. BRK. STR. 4500# ±20%

| | | |
|---|---|--------------|
| TOLERANCES UNLESS OTHERWISE SPECIFIED .X = ±.5 .XX = ±.05 .XXX = ±.015 ANGLE TOL. ± 2° | HUBBELL INCORPORATED KELLEMS DIVISION STONINGTON, CT | |
| | DR. BY KJW | APP. BY FES |
| PROJECT NO. | TR. BY | SCALE N/A |
| | CHK. BY FES | DATE 12/8/93 |

| | |
|------------|------|
| DR. NO. | REV. |
| 024-03-019 | H |

SHEET 1 OF 1