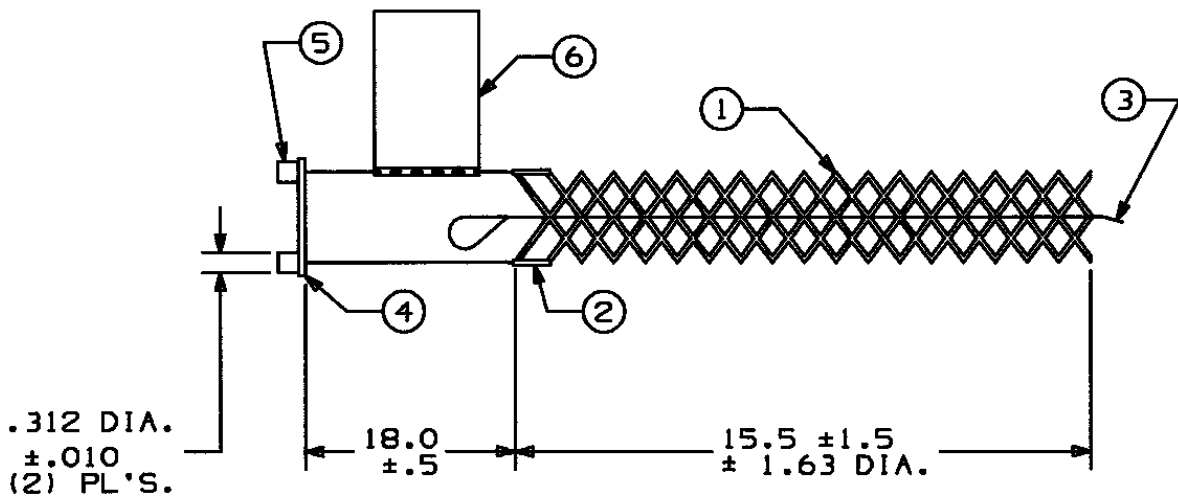


COMPONENT LIST

ITEM NO.	DESCRIPTION	MAT'L	COMPONENT NO.	QTY.
1	STRAND	SST	304-01-008	
2	STRAND EQUALIZER	SST	304-48-008	2
3	ROD	SST	304-53-013	1
4	LINK	BRZ	372-55-002	1
5	LUG	BRZ	372-56-013	2
6	TAG	MYLAR	309-77-0753	1



IN ACCEPTING OUR DRAWINGS OR BLUEPRINTS FOR QUOTATION OR OTHER PURPOSES, YOU AGREE NOT TO DISCLOSE TO OTHERS THE IDEAS, INFORMATION, OR DESIGNS THEREIN SHOWN, AND THAT YOU WILL MAKE NO USE OF OUR DRAWINGS OR BLUEPRINTS OR OF THE IDEAS, INFORMATION, OR DESIGNS THEREIN SHOWN WITHOUT OUR PERMISSION.

TITLE:

GRIP - STANDARD SUPPORT - SST
 SPLIT ROD CLOSING, SINGLE WEAVE
 UNIVERSAL BALE
 DIA. RA. 1.50-1.74
 DESCRIPTION: RRU 150-18-SS
 APP. BRK. STR. (LBS.) = 4500

TOLERANCES UNLESS OTHERWISE SPECIFIED
 .XX = ±.05
 .XXX = ±.015
 .XXXX = ±.0025
 ANGLE TOL. ± 2°

HUBBELL INCORPORATED
 KELLEMS DIVISION
 STONINGTON, CT

DR. BY: KJW APP. BY: MLF

PROJECT NO.

TR. BY

SCALE NONE

CHK. BY

DATE: 3/19/93

DR. NO.

REV.

024-03-070

J