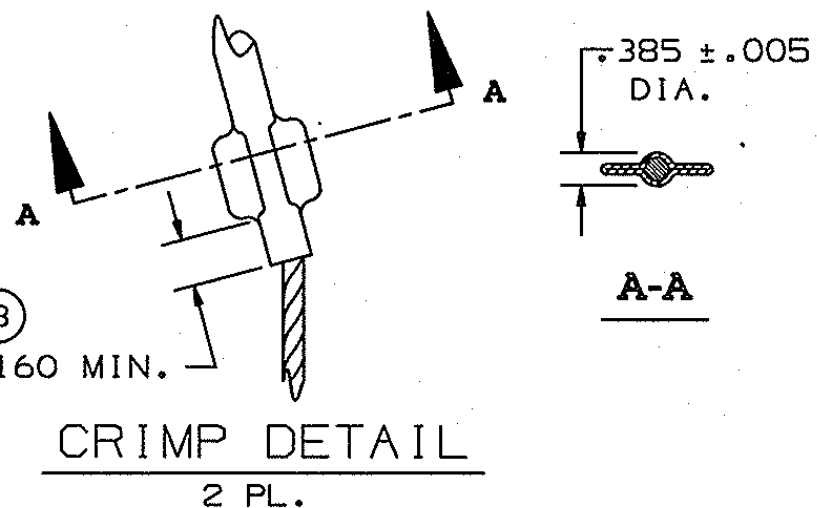
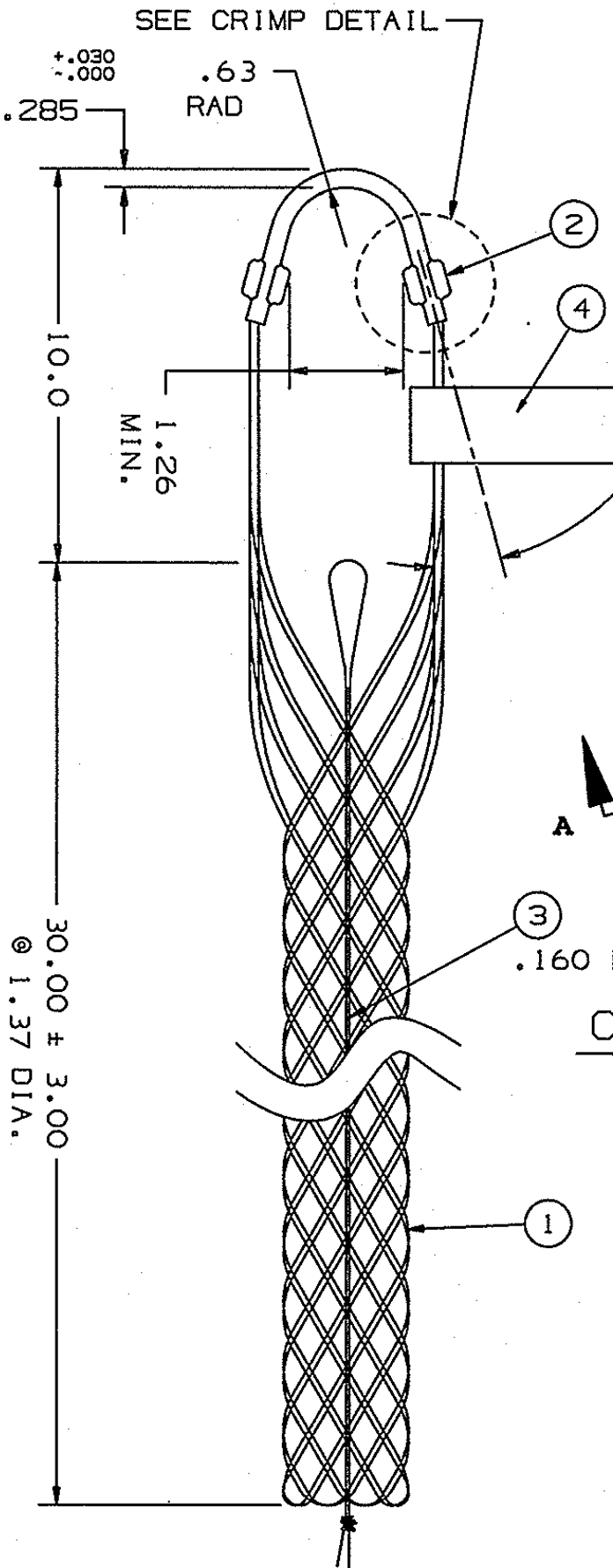


COMPONENT LIST

ITEM NO.	DESCRIPTION	MAT'L	COMPONENT NO.	QTY.
1	STRAND	SST	30401009	-
2	EYE	SST	30446082	1
3	LACE	SST	30474023	2
4	TAG	MYLAR		1



IN ACCEPTING OUR DRAWINGS OR BLUEPRINTS FOR QUOTATION OR OTHER PURPOSES, YOU AGREE NOT TO DISCLOSE TO OTHERS THE IDEAS, INFORMATION, OR DESIGNS THEREIN SHOWN, AND THAT YOU WILL MAKE NO USE OF OUR DRAWINGS OR BLUEPRINTS OR OF THE IDEAS, INFORMATION, OR DESIGNS THEREIN SHOWN WITHOUT OUR PERMISSION.

TITLE GRIP, SST, HEAVY, SUPPORT, SPLIT-LACE CLOSING, DOUBLE WEAVE, SINGLE EYE DIA. RA 1.25-1.49 APPROX BRK STR. 7300# ±20%

TOLERANCES UNLESS OTHERWISE SPECIFIED .X = ±.5 .XX = ±.05 .XXX = ±.015 ANGLE TOL. ± 2°	HUBBELL INCORPORATED KELLEMS DIVISION STONINGTON, CT	
PROJECT NO.	DR. BY FBR	APP. BY JLW
	TR. BY	SCALE N/A
	CHK. BY JLW	DATE 11-12-93

DR. NO. 024-07-012 REV. M