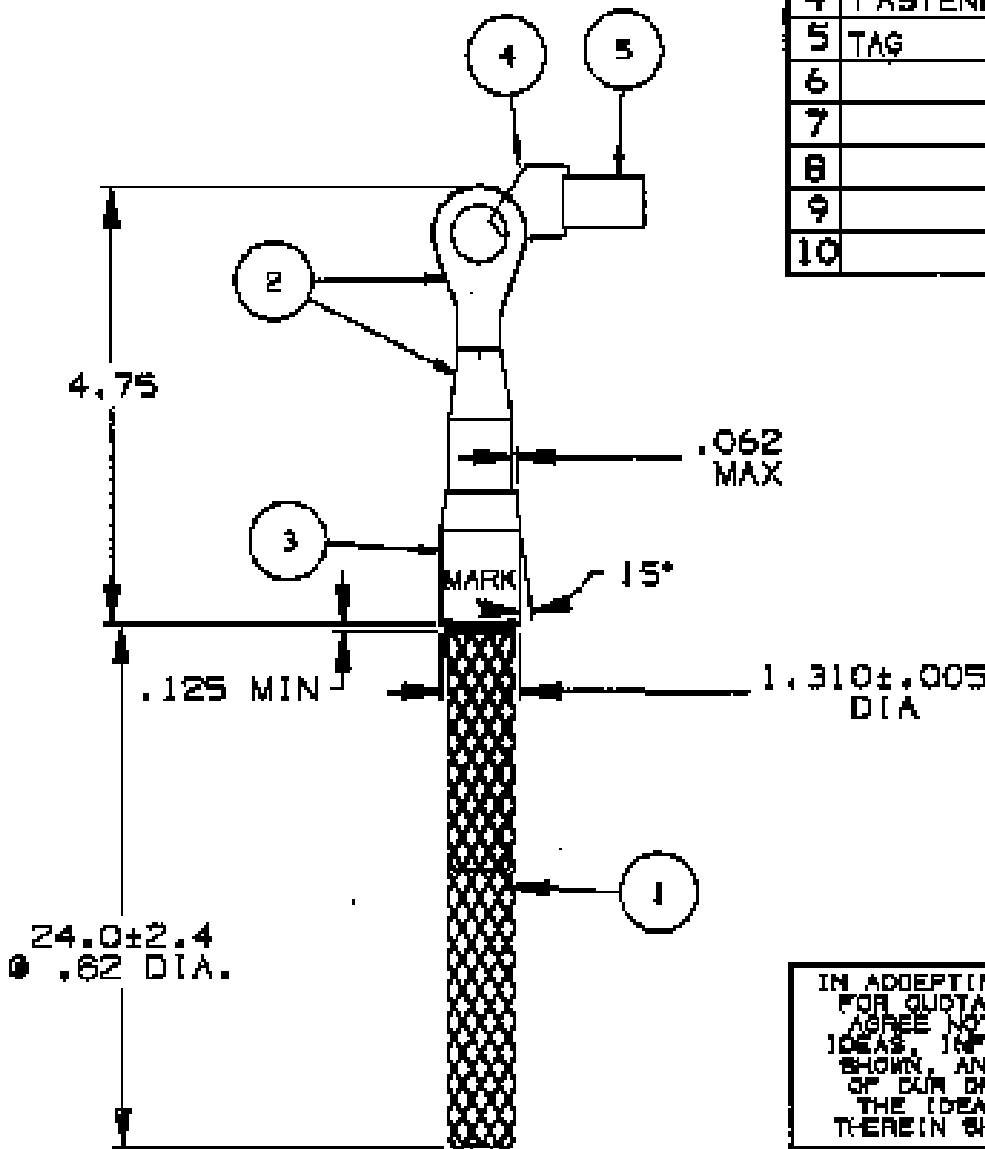


COMPONENT LIST

ITEM NO.	DESCRIPTION	MAT'L	COMPONENT NO.	QTY.
1	MESH	3-STL	373-01-003	-
2	EYE	STL	373-54-008	1
3	SLEEVE	AL	341-44-537	1
4	FASTENER	PLASTIC	316-20-001	1
5	TAG	MYLAR		1
6				
7				
8				
9				
10				



IN ADOPING OUR DRAWINGS OR BLUEPRINTS FOR QUOTATION OR OTHER PURPOSES, YOU AGREE NOT TO DISCLOSE TO OTHERS THE IDEAS, INFORMATION, OR DESIGNS THEREIN SHOWN, AND THAT YOU WILL MAKE NO USE OF OUR DRAWINGS OR BLUEPRINTS OR OF THE IDEAS, INFORMATION, OR DESIGNS THEREIN SHOWN WITHOUT OUR PERMISSION.

TITLE
GRIP, FIBER OPTIC PULLING,
CLOSED MESH, MULTI-WEAVE
SWIVEL EYE
DIA. RA., .53 - .74
DESCRIPTION 5/8 FOSE
APPROX. BKR. STR. 3250 LBS.

TOLERANCES UNLESS OTHERWISE SPECIFIED X ± .05 XX ± .08 XXX ± .012 ANGLE TOL. ± 2'	HUBBELL INCORPORATED KELLOGG DIVISION STONINGTON, CT	
	DR. BY GPK	APP. BY PPS
PROJECT NO.	TR. BY	SCALE NONE
	CHK. BY PPS	DATE 3/1/01

DR. NO. **033-29-1011** REV. **E**