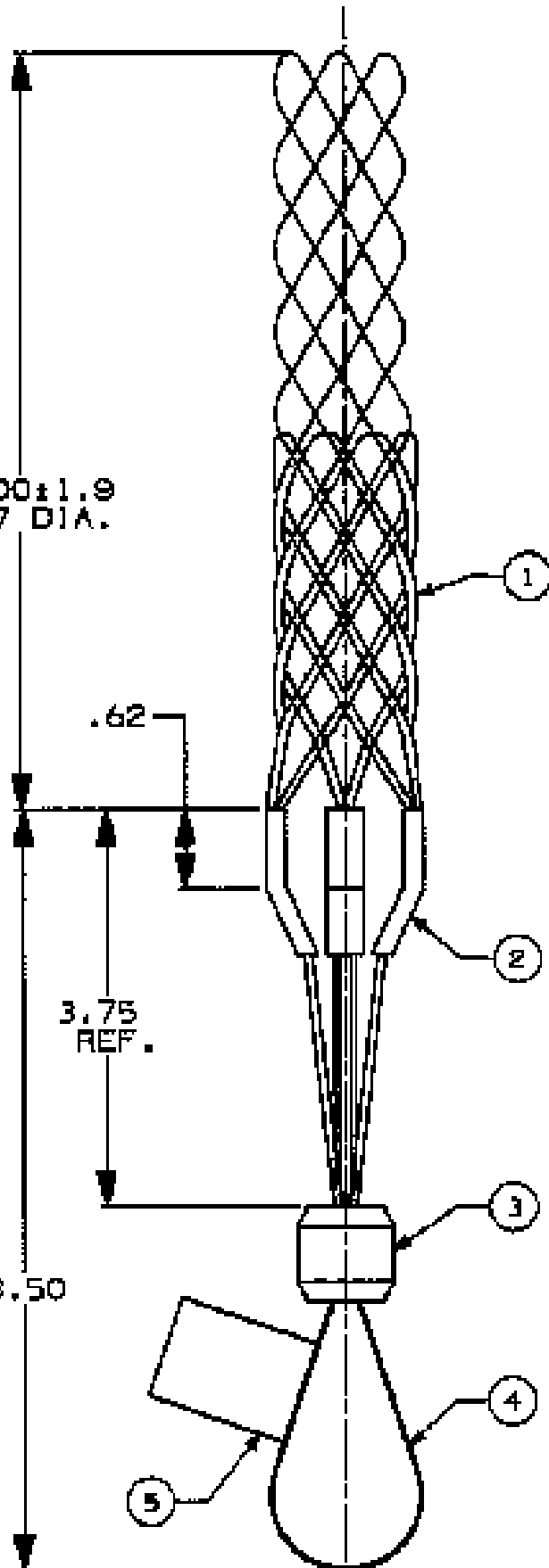


18.00±1.0
 @.37 DIA.



COMPONENT LIST

ITEM NO.	DESCRIPTION	MAT'L	COMPONENT NO.	QTY.
1	STRAND	INL.BTL.	373-01-003	-
2	SHOULDERS	AL.	341-43-053	4
3	LUG	AL.	341-56-010	1
4	EYE	INL.BTL.	303-74-029	1
5	TAG	MYLAR		1

IN ACCEPTING OUR DRAWINGS OR BLUEPRINTS FOR QUOTATION OR OTHER PURPOSES, YOU AGREE NOT TO DISCLOSE TO OTHERS THE IDEAS, INFORMATION, OR DESIGN THEREIN SHOWN, AND THAT YOU WILL MAKE NO USE OF OUR DRAWINGS OR BLUEPRINTS OR OF THE IDEAS, INFORMATION, OR DESIGN THEREIN SHOWN WITHOUT OUR PERMISSION.

TITLE
 GRIP, GALV. STL.
 FIBER OPTIC PULLING
 CLOSED MESH, MULTI-WEAVE,
 NON-ROTATING FLEXIBLE EYE
 DIA. RA. .32-.48
 DESCRIPTION
 3/8 FO-FE (5E1683-3)

APPROX. BRK. STR. = 2000 LBS

TELEPHONE UNLESS OTHERWISE SPECIFIED:
 1000 = 0.000
 2000 = 0.000
 3000 = 0.000
 ANGLE VOL. = 1°

HUBBELL INCORPORATED
 KELLUMS DIVISION
 BURLINGTON, VT

PROJECT NO.

DR. BY: GPK APP. BY: PFS
 TR. BY: SCALE NONE
 CHK. BY: PFS DATE: 8/1/64

DR. NO.

033-29-1195

REV.

C