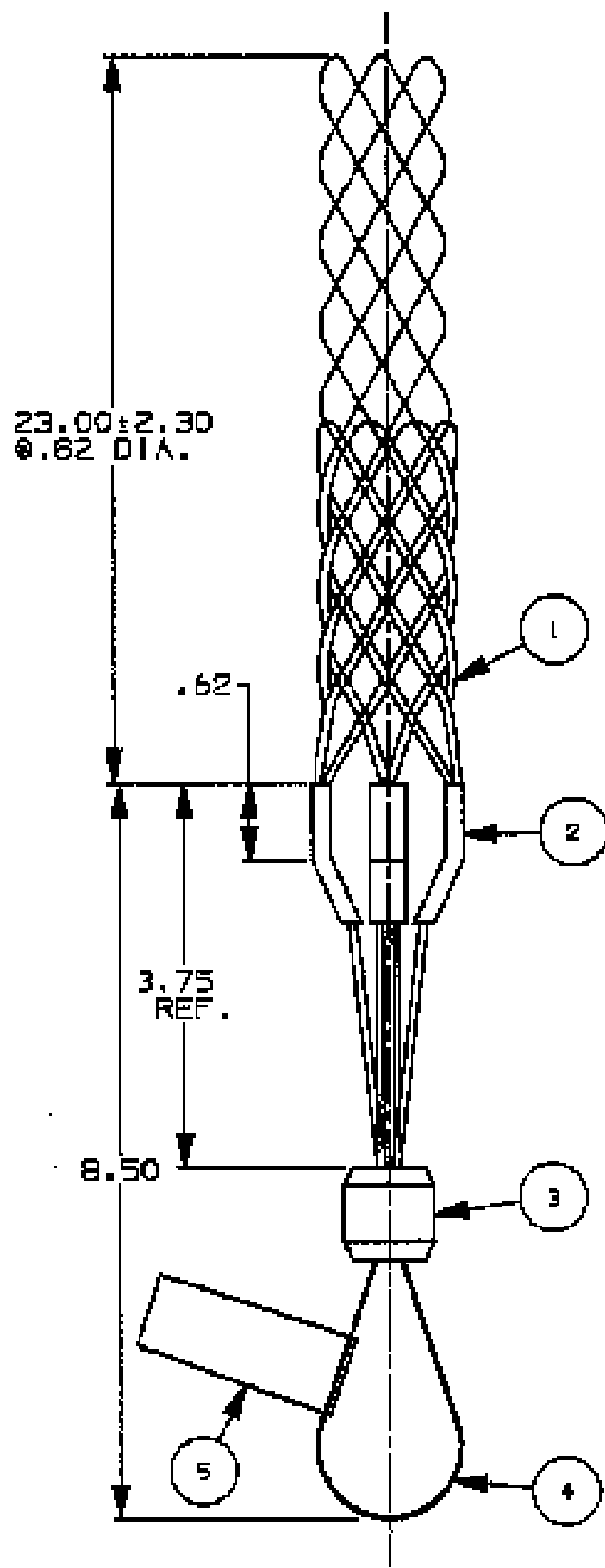


COMPONENT LIST

ITEM NO.	DESCRIPTION	MAT'L	COMPONENT NO.	QTY.
1	MESH	SA-371	373-01-003	-
2	SHOULDERS	AL.	341-43-053	6
3	LUG	AL.	341-56-011	1
4	EYE	SA-371	303-74-030	1
5	TAG	NYLAR		1



IN ACCEPTING OUR DRAWINGS OR BLUEPRINTS FOR QUOTATION OR OTHER PURPOSES, YOU AGREE NOT TO DISCLOSE TO OTHERS THE IDEAS, INFORMATION, OR DESIGNS THEREIN SHOWN, AND THAT YOU WILL MAKE NO USE OF OUR DRAWINGS OR BLUEPRINTS OR OF THE IDEAS, INFORMATION, OR DESIGNS THEREIN SHOWN WITHOUT OUR PERMISSION.

TITLE
GRIP GALV. STL.
FIBER OPTIC PULLING
CLOSED MESH, MULTI-WEAVE,
DIA. RA. .53 -.74
DESCRIPTION 5/8 FO-FE

APPROX. BKR. STR. = 3000 LBS.

TOLERANCES UNLESS OTHERWISE SPECIFIED:
JOC = ±.005
JOK = ±.005
JODK = ±.005
ANGLE TOL. = 1°

HUBBELL INCORPORATED
KELLEYS DIVISION
STONINGTON, CT

DR. BY: KJR APP. BY: MLF
TR. BY: SCALE NONE
CHK. BY: JET DATE: 1/26/76

DR. NO. 033-29-1197 REV. E