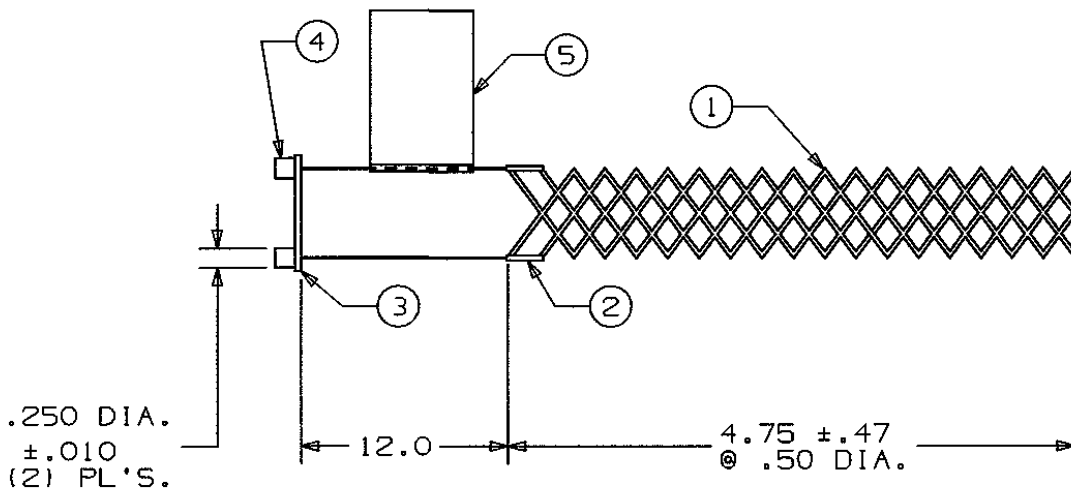


COMPONENT LIST

ITEM NO.	DESCRIPTION	MAT'L	COMPONENT NO.	QTY.
1	STRAND	GALV. STEEL	373-01-003	
2	STRAND EQUAL.	BRZ	362-47-001	2
3	LINK	BRZ	372-55-001	1
4	LUG	BRZ	372-56-003	2
5	TAG	MYLAR		1



IN ACCEPTING OUR DRAWINGS OR BLUEPRINTS FOR QUOTATION OR OTHER PURPOSES, YOU AGREE NOT TO DISCLOSE TO OTHERS THE IDEAS, INFORMATION, OR DESIGNS THEREIN SHOWN, AND THAT YOU WILL MAKE NO USE OF OUR DRAWINGS OR BLUEPRINTS OR OF THE IDEAS, INFORMATION, OR DESIGNS THEREIN SHOWN WITHOUT OUR PERMISSION.

TITLE: GRIP-BUS DROP-GALV. STEEL
 CLOSED MESH - SINGLE WEAVE
 UNIVERSAL BALE DIA. RA. .43-.56
 DESCRIPTION: BU-041
 APP. BRK. STR. (LBS.) = 550

TOLERANCES UNLESS OTHERWISE SPECIFIED
 .X = ±.5
 .XX = ±.05
 .XXX = ±.015
 ANGLE TOL. ± 2°

HUBBELL INCORPORATED
 KELLEMS DIVISION
 STONINGTON, CT

PROJECT NO.

DR. BY KJW APP. BY MLF

TR. BY SCALE NONE

CHK. BY DATE 3/01/93

DR. NO.

REV.

073-04-1285

F