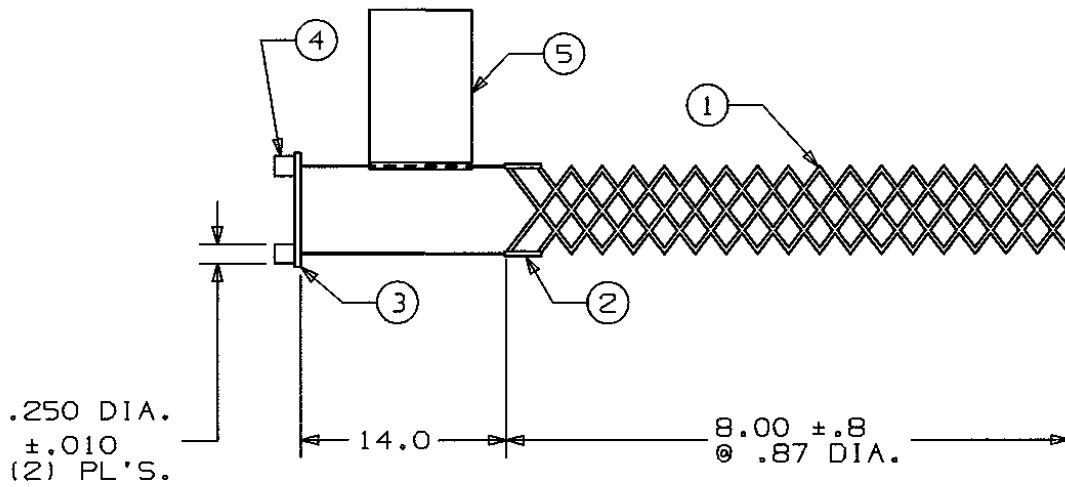


### COMPONENT LIST

ITEM NO.	DESCRIPTION	MAT'L	COMPONENT NO.	QTY.
1	STRAND	GALV. STEEL	373-01-004	
2	SPIRALIZER	SST	304-48-007	2
3	LINK	BRZ	372-55-001	1
4	LUG	BRZ	372-56-007	2
5	TAG	MYLAR		1



IN ACCEPTING OUR DRAWINGS OR BLUEPRINTS FOR QUOTATION OR OTHER PURPOSES, YOU AGREE NOT TO DISCLOSE TO OTHERS THE IDEAS, INFORMATION, OR DESIGNS THEREIN SHOWN, AND THAT YOU WILL MAKE NO USE OF OUR DRAWINGS OR BLUEPRINTS OR OF THE IDEAS, INFORMATION, OR DESIGNS THEREIN SHOWN WITHOUT OUR PERMISSION.

TITLE GRIP-BUS DROP-GALV. STEEL  
CLOSED MESH - SINGLE WEAVE  
UNIVERSAL BALE DIA. RA. .85 - 1.00  
DESCRIPTION: BU-082  
APP. BRK. STR. (LBS.) = 1400

TOLERANCES UNLESS OTHERWISE SPECIFIED  
.X = ±.5  
.XX = ±.05  
.XXX = ±.015  
ANGLE TOL. ± 2°

HUBBELL INCORPORATED  
KELLEMS DIVISION  
STONINGTON, CT

PROJECT NO.

DR. BY KJW	APP. BY MLF
TR. BY	SCALE NONE
CHK. BY	DATE 3/01/93

DR. NO.

# 073-04-1288

REV.

# H