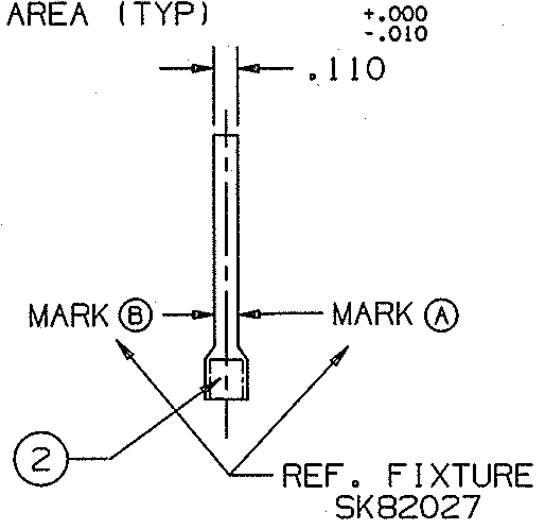


COMPONENT LIST				
ITEM NO.	DESCRIPTION	MAT'L	COMPONENT NO.	QTY.
1	STRAND	G STL	303-01-012	-
2	TUBE	PLAS	506-43-008	2
3	EYE	ALUM	341-43-048	2



SECTION A-A
TYPICAL

IN ACCEPTING OUR DRAWINGS OR BLUEPRINTS FOR QUOTATION OR OTHER PURPOSES, YOU AGREE NOT TO DISCLOSE TO OTHERS THE IDEAS, INFORMATION, OR DESIGNS THEREIN SHOWN, AND THAT YOU WILL MAKE NO USE OF OUR DRAWINGS OR BLUEPRINTS OR OF THE IDEAS, INFORMATION, OR DESIGNS THEREIN SHOWN WITHOUT OUR PERMISSION.

TITLE GRIP, STRAIN RELIEF, G-STL, W/PLAS. COATING
CLOSED MESH, SINGLE WEAVE, TAB EYES
DIA. RA. .32-.43
BREAKING STRENGTH: 140 LBS.

TOLERANCES UNLESS OTHERWISE SPECIFIED .X = ±.5 .XX = ±.05 .XXX = ±.015 ANGLE TOL. ± 2°	HUBBELL INCORPORATED KELLEMS DIVISION STONINGTON, CT	
	DR. BY RCM	APP. BY FFS
PROJECT NO.	TR. BY	SCALE NONE
	CHK. BY FFS	DATE 12/4/08

DR. NO.	REV.
073-10-001	2