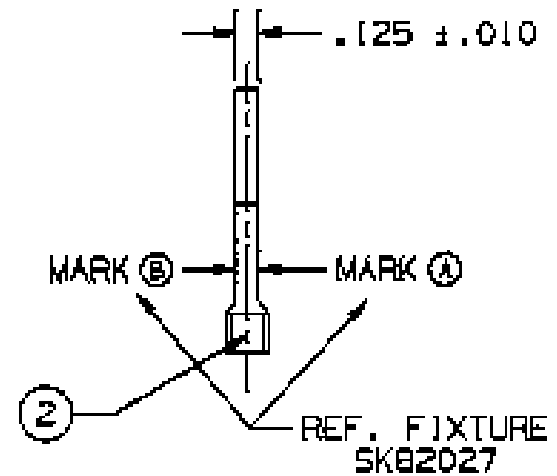
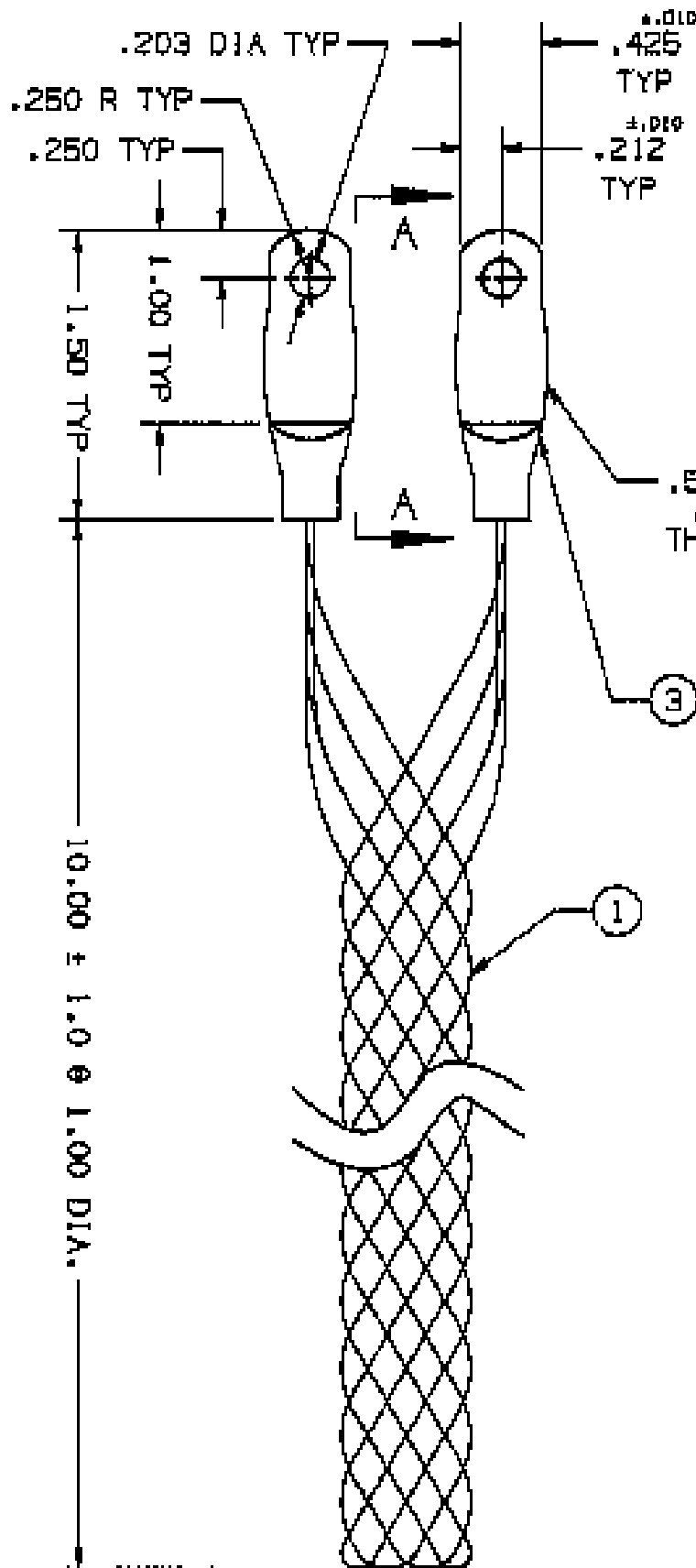


COMPONENT LIST

ITEM NO.	DESCRIPTION	MAT'L	COMPONENT NO.	QTY.
1	STRAND	3 STL	303-01-013	-
2	TUBE	PLAS	505-43-008	2
3	EYE	ALUM	331-43-050	2



IN ACCEPTING OUR DRAWINGS OR BLUEPRINTS FOR QUOTATION OR OTHER PURPOSES, YOU AGREE NOT TO DISCLOSE TO OTHERS THE IDEAS, INFORMATION, OR DESIGNS THEREIN SHOWN, AND THAT YOU WILL MAKE NO USE OF OUR DRAWINGS OR BLUEPRINTS OR OF THE IDEAS, INFORMATION, OR DESIGNS THEREIN SHOWN WITHOUT OUR PERMISSION.

TITLE
GRIP, STRAIN RELIEF, 3-STL, W/PLAS. COATING
CLOSED MESH, SINGLE WEAVE, TAB EYES
DIA. RA. 1.00-1.25
BREAKING STRENGTH: 250 LBS.

TOLERANCES UNLESS OTHERWISE SPECIFIED X = .05 XX = .03 XXX = .015 ANGLE TOL. = 2'	HUBBELL INCORPORATED KELLENS DIVISION STONINGTON, CT	
PROJECT NO.	DR. BY RDM	APP. BY FFS
	TR. BY	SCALE
	CHK. BY FFS	DATE 12/5/08

DR. NO. **073-10-006** REV. 1