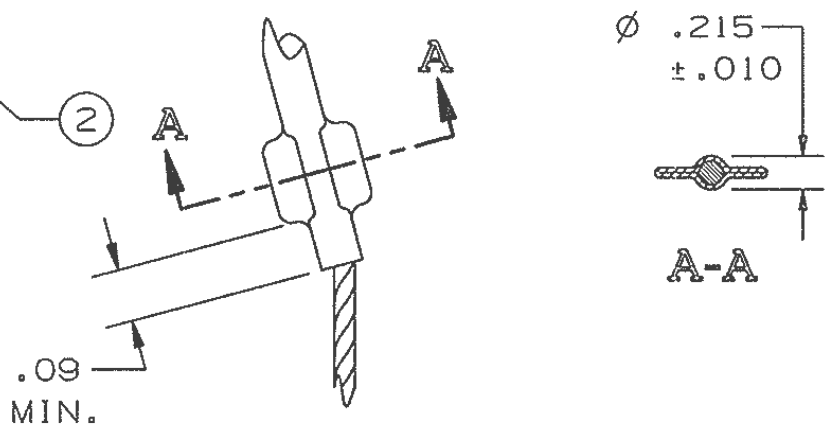


COMPONENT LIST				
ITEM NO.	DESCRIPTION	MAT'L	COMPONENT NO.	QTY.
1	STRAND	SST	304-01-010	-
2	STRAND EQUALIZER	SST	304-48-007	2
3	EYE	SST	304-46-079	1
4	TAG	MYLAR		1



IN ACCEPTING OUR DRAWINGS OR BLUEPRINTS FOR QUOTATION OR OTHER PURPOSES, YOU AGREE NOT TO DISCLOSE TO OTHERS THE IDEAS, INFORMATION, OR DESIGNS THEREIN SHOWN, AND THAT YOU WILL MAKE NO USE OF OUR DRAWINGS OR BLUEPRINTS OR OF THE IDEAS, INFORMATION, OR DESIGNS THEREIN SHOWN WITHOUT OUR PERMISSION.

TITLE GRIP, SST, BUS DROP, CLOSED MESH, SINGLE WEAVE, SINGLE "U" EYE, DIA. RA. .73-.85, DESCR. BD-070-SS APPROX BRK STR. 2000#

TOLERANCES UNLESS OTHERWISE SPECIFIED .X = ±.5 .XX = ±.05 .XXX = ±.015 ANGLE TOL. ± 2°		HUBBELL INCORPORATED KELLEMS DIVISION STONINGTON, CT	
PROJECT NO. / /		DR. BY PRR	APP. BY FFS
		TR. BY JMN	SCALE N/A
		CHK. BY FFS	DATE 6/16/97

DR. NO. 074-04-1318	REV. J
-------------------------------	-----------

SHEET 1 OF 1