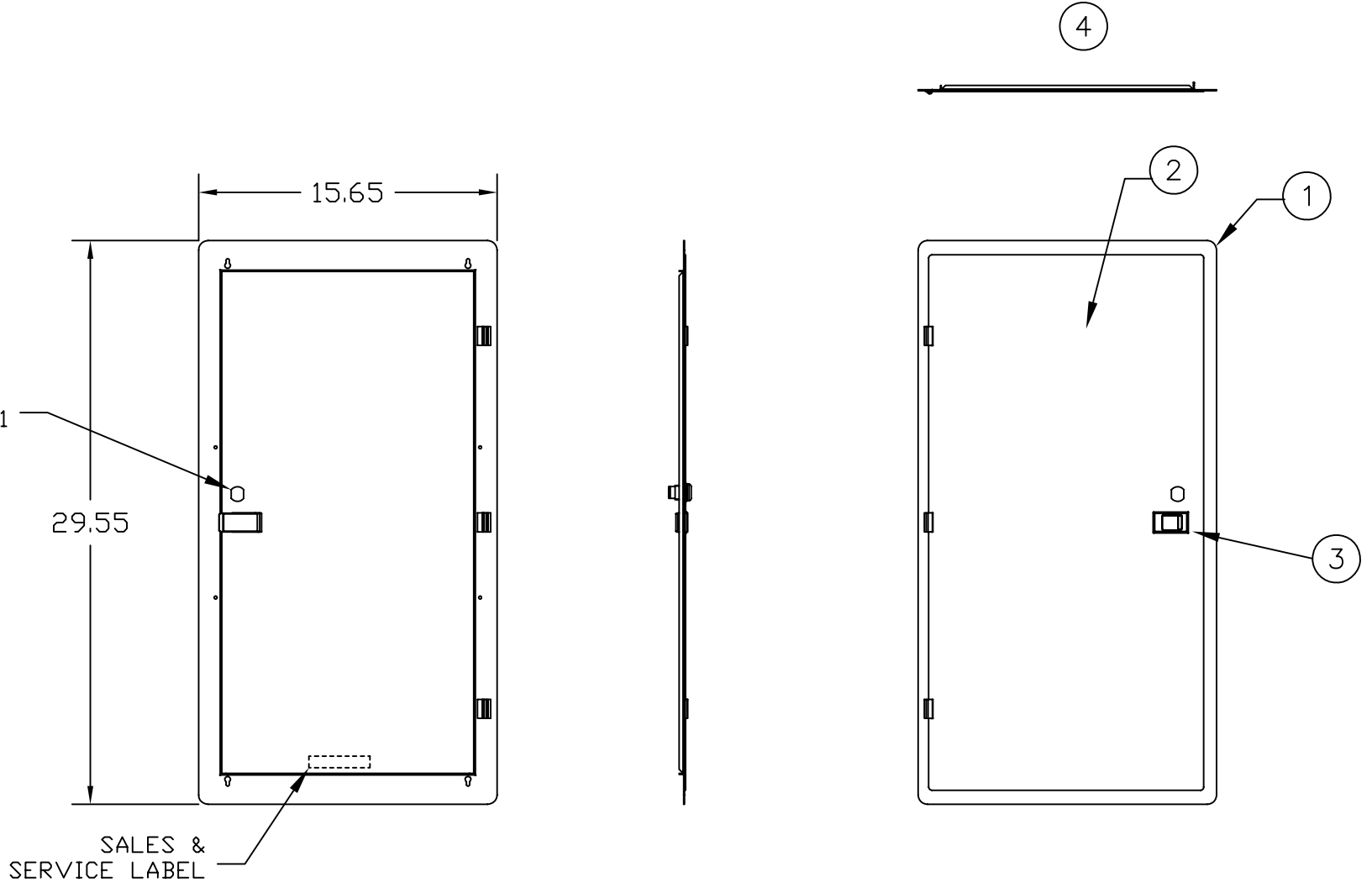



ITEM NO.	DESCRIPTION	QTY.	CATALOG NUMBER	DESCRIPTION
1	DOOR FRAME	1	NSOBOX28D	28" HINGED DOOR
2	DOOR	1		
3	DOOR LATCH	1		
4	WIRING LABEL (NOT PICTURED)	1		
5	INSTRUCTION SHEET (NOT PICTURED)	1		
6	MOUNTING SCREWS (NOT PICTURED)	6		



NOTES:
1. SPECIFICATIONS SUBJECT TO CHANGE WITHOUT NOTICE.
2. COMPATIBLE WITH NSOBOX28 SERIES PRODUCTS.

Created on AUTOCAD	DIMENSIONING AND TOLERANCE PER ANSI Y14.5M-1982 UNLESS OTHERWISE SPECIFIED, DIMENSIONS ARE IN INCHES (MM). TOLERANCES .XX = ±.01 (.25) .XXX = ±.005 (.127) .XXXX = ±.0025 (.0635) ANGLE TOL ±1°		PROJECT REFERENCE: 017-07		 Hubbell Premise Wiring HUBBELL INCORPORATED (Delaware) 14 Lord's Hill Road, Stonington, Connecticut 06378
	IN ACCEPTING OUR DRAWINGS, BLUEPRINTS, OR SUPPORTING DOCUMENTATION FOR QUOTATION OR OTHER PURPOSES, YOU AGREE NOT TO DISCLOSE TO OTHERS THE IDEAS, INFORMATION, OR DESIGNS SHOWN HEREIN, AND THAT YOU WILL MAKE NO USE OF SAME WITHOUT PERMISSION		MATERIAL: 18 Ga. COLD ROLLED STEEL		
			DRAWN BY: C. GRIBBLE 3/21/07		TITLE: 28" SOHO BOX HINGED DOOR ASSEMBLY
			CHECKED BY: APPROVED BY:		SIZE: B DRAWING NO. HWS1252002C REV. A SCALE: .125/1 SHEET 1 OF 1

REV.	ECN	DATE	DESCRIPTION	CHG BY	APPD BY
A	6066	3/21/07	INITIAL RELEASE	CG	