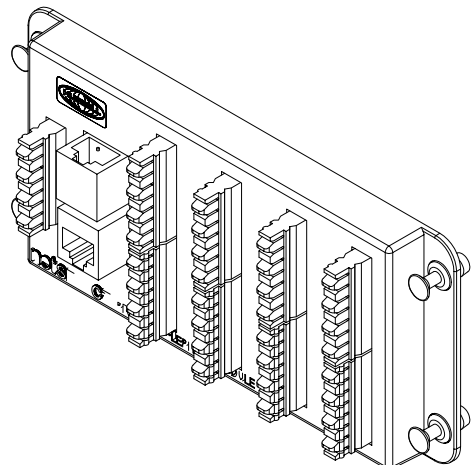
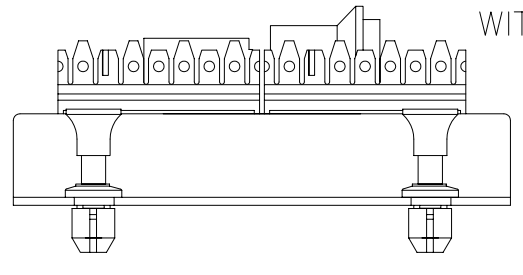
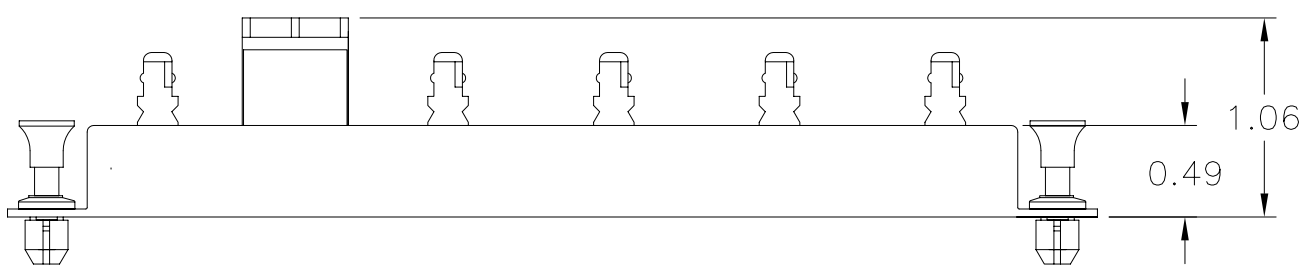
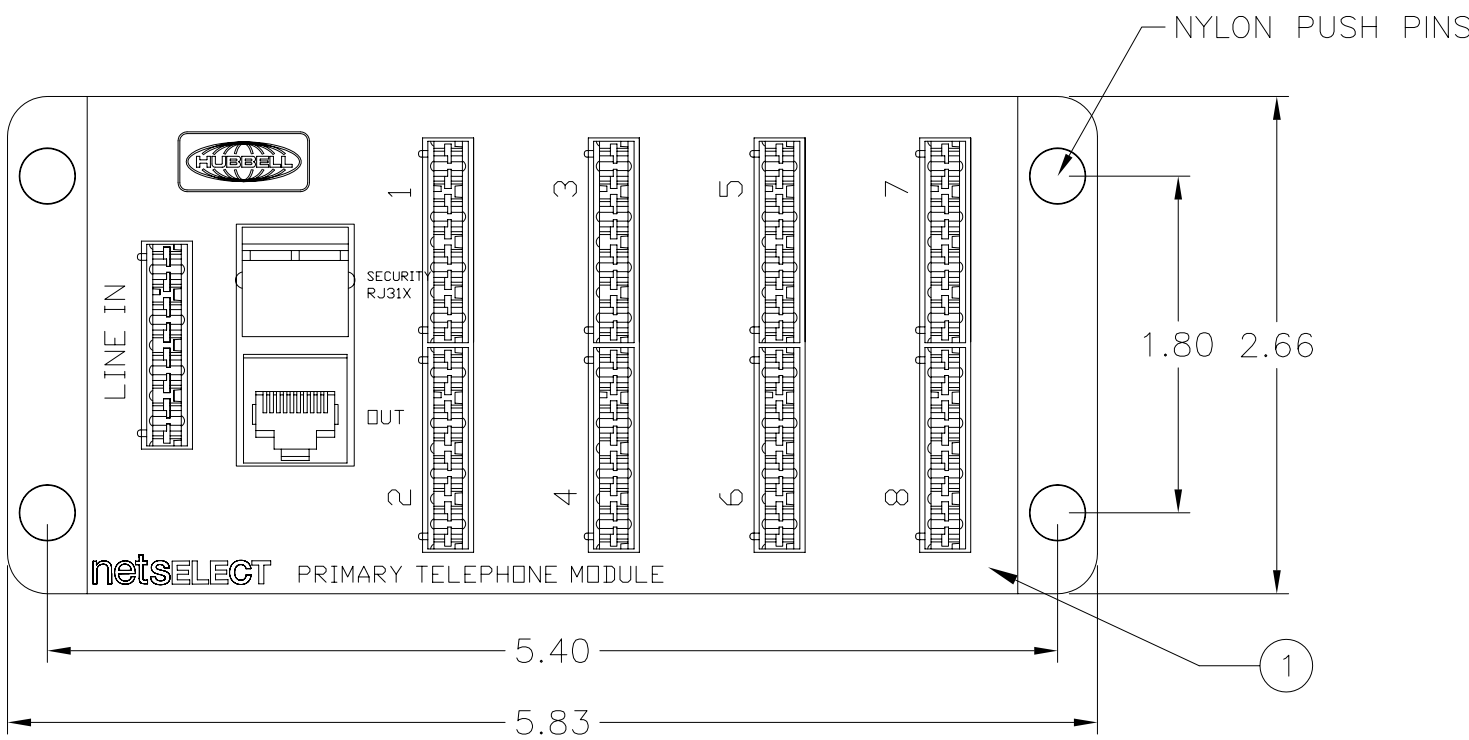
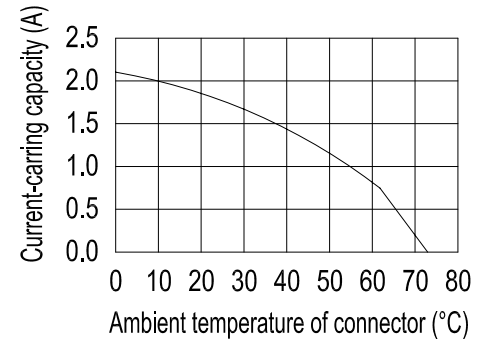


ITEM NO.	DESCRIPTION	QTY.
1	8 PORT TELEPHONE MODULE	1
2	INSTRUCTION SHEET (NOT SHOWN)	1

CATALOG NUMBER	DESCRIPTION
NSOPTM8	8 PORT TELEPHONE MODULE

- NOTES:
- FCC PART 68 COMPLIANT
 - TIA 568-A WIRED
 - ENVIRONMENTAL CONDITIONS
TEMPERATURE RANGE
STORAGE -40 TO +70°C
OPERATION -10 TO +60°C
RELATIVE HUMIDITY (OPERATIONAL):
MAXIMUM NONCONDENSING 93%
 - ELECTRICAL
ELECTRICAL INSULATION RESISTANCE:
500 MΩ MIN. @ 100V D.C
DIELECTRIC WITHSTANDING VOLTAGE:
1000V D.C OR A.C. PEAK CONTACT
@60HZ FOR 1 MINUTE
SPRING WIRE CONTACT RESISTANCE:
20 mΩ MAX.
IDC CONTACT RESISTANCE:
2.5 mΩ MAX.
CURRENT RATING: AS FIGURE
 - COLOR BLACK WITH WHITE SILK-SCREEN.
 - SPECIFICATIONS SUBJECT TO CHANGE WITHOUT NOTICE.



Created on AUTOCAD	DIMENSIONING AND TOLERANCE PER ANSI Y14.5M-1982 UNLESS OTHERWISE SPECIFIED, DIMENSIONS ARE IN INCHES (MM). TOLERANCES .XX = ±.01 (.25) .XXX = ±.005 (.127) .XXXX = ±.0025 (.0635) ANGLE TOL ±1°		PROJECT REFERENCE: 2008-009		Hubbell Premise Wiring HUBBELL INCORPORATED (Delaware) 14 Lord's Hill Road, Stonington, Connecticut 06378		
	IN ACCEPTING OUR DRAWINGS, BLUEPRINTS, OR SUPPORTING DOCUMENTATION FOR QUOTATION OR OTHER PURPOSES, YOU AGREE NOT TO DISCLOSE TO OTHERS THE IDEAS, INFORMATION, OR DESIGNS SHOWN HEREIN, AND THAT YOU WILL MAKE NO USE OF SAME WITHOUT PERMISSION		MATERIAL: BRACKET: ABS PLASTIC UL 94-V0			TITLE: SOHO 8 PORT PRIMARY TELEPHONE MODULE	
			DRAWN BY: B MARTINO 01/24/08		SIZE: B	DRAWING NO. HWS12631C	REV. A
			CHECKED BY:		SCALE: N/A	SHEET 1 OF 1	

REV.	ECN	DATE	DESCRIPTION	CHG BY	APPD BY
A	6270	01/24/08	INITIAL RELEASE	BTM	