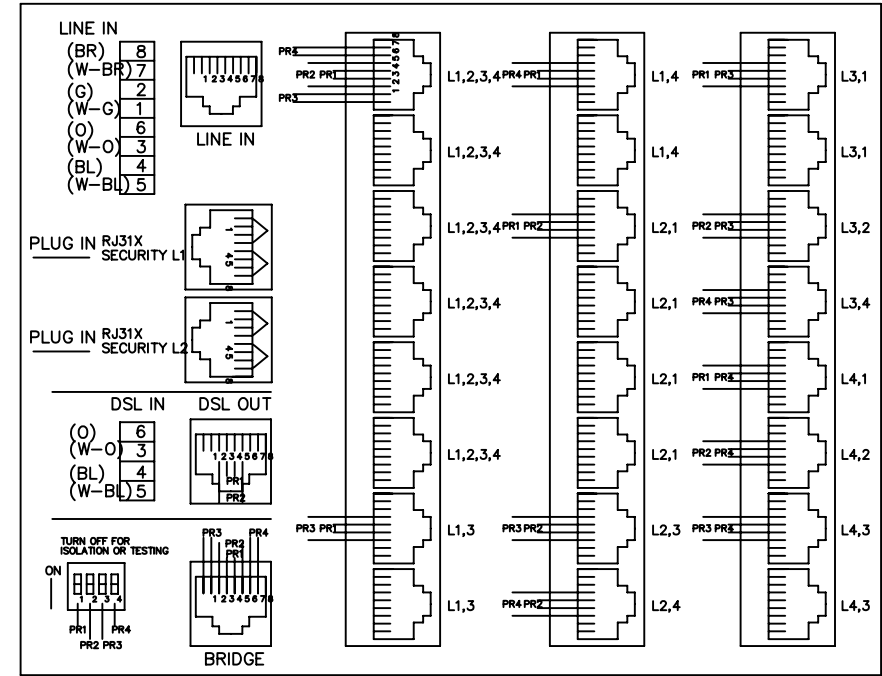
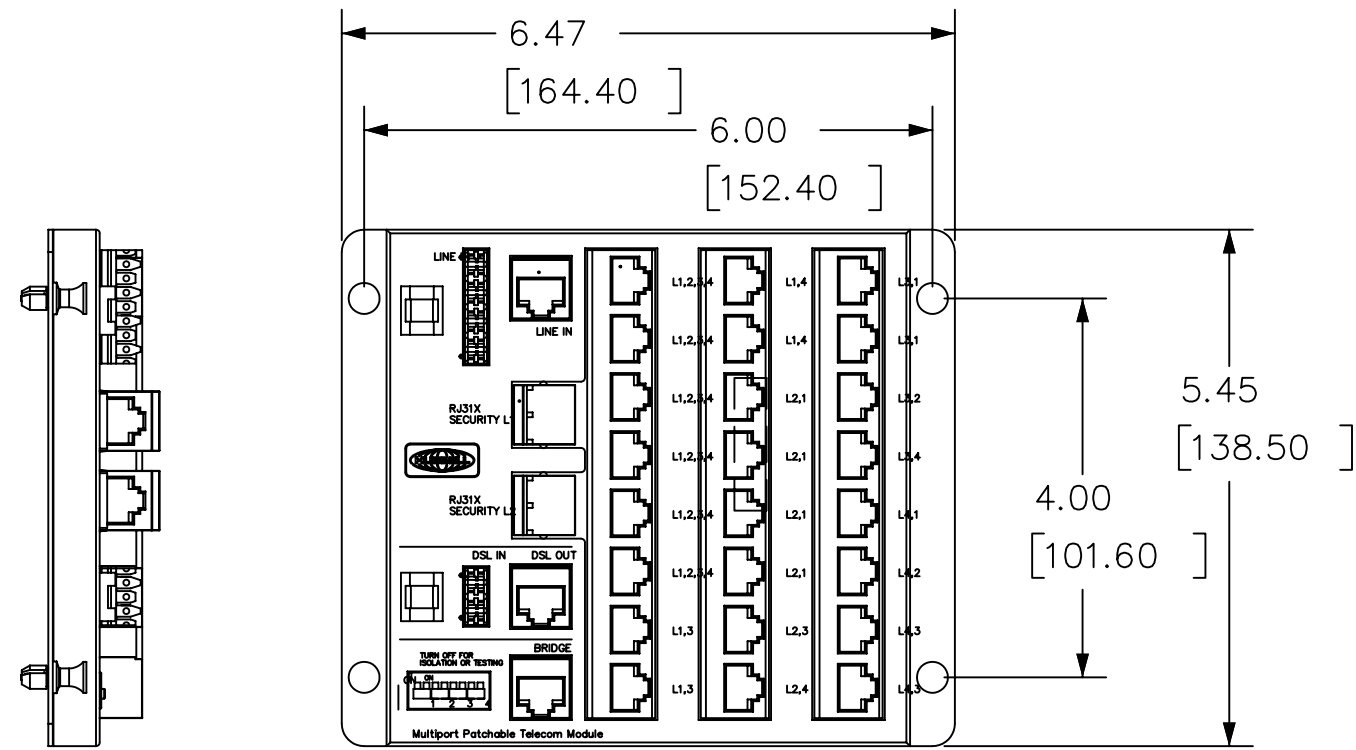


6 5 4 3 2 1

CATALOG NUMBER	DESCRIPTION
NSOMTM24	SOHO MULTIPOINT PATCHABLE TELECOM MODULE

D



WIRING DIAGRAM

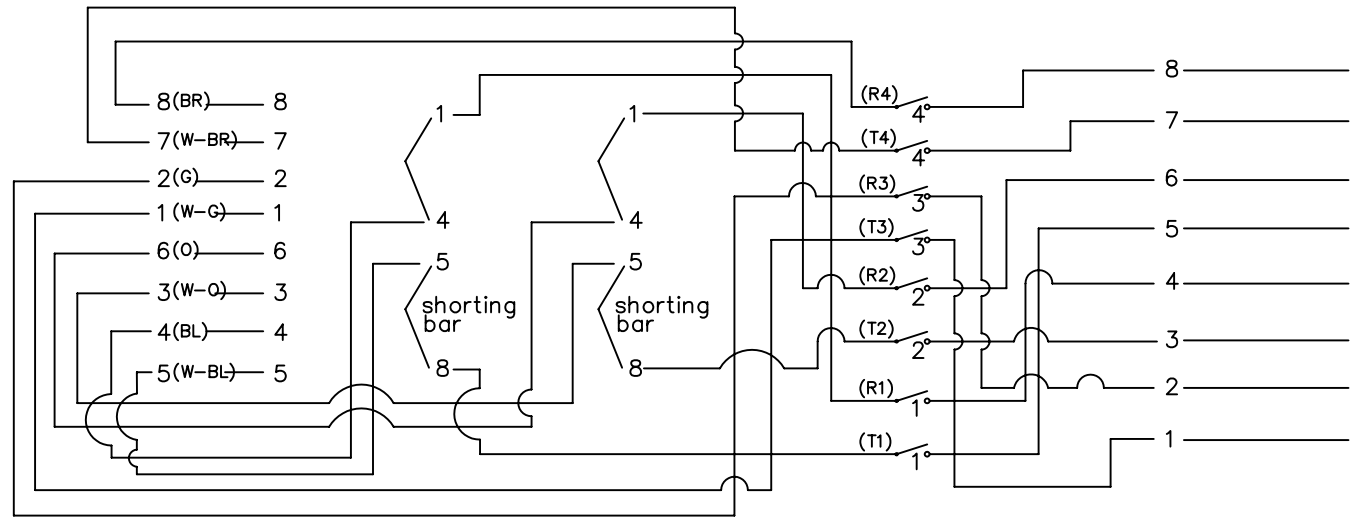
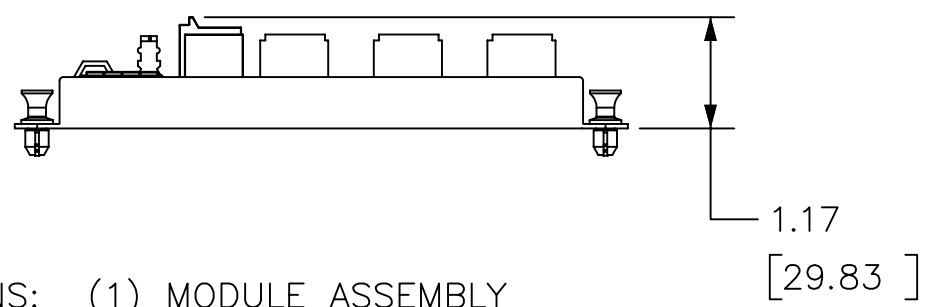
LINE IN (IDC)    LINE IN (RJ45)    RJ31X FROM L1    RJ31X FROM L2    (TURN OFF FOR ISOLATION TESTING) DIP SWITCH    BRIDGE

C


B

NOTES:

- ASSEMBLY CONTAINS: (1) MODULE ASSEMBLY  
(1) INSTRUCTION SHEET
- REQUIREMENTS: MEETS FCC PART 68.
- SPECIFICATIONS SUBJECT TO CHANGE WITHOUT NOTICE.



A

Created on AUTOCAD	DIMENSIONING AND TOLERANCE PER ANSI Y14.5M-1982 UNLESS OTHERWISE SPECIFIED, DIMENSIONS ARE IN INCHES (MM). TOLERANCES .XX = ±.01 (.25) .XXX = ±.005 (.127) .XXXX = ±.0025 (.0635) ANGLE TOL ±1°		PROJECT REFERENCE: 2008-009		 <b>Hubbell Premise Wiring</b> HUBBELL INCORPORATED (Delaware) 14 Lord's Hill Road, Stonington, Connecticut 06378	
	MATERIAL: BASE/COVER: BLACK ABS PLASTIC UL94-V0		DRAWN BY: B MARTINO 02/27/08			TITLE: SOHO Multiport Patchable Telecom Module
	IN ACCEPTING OUR DRAWINGS, BLUEPRINTS, OR SUPPORTING DOCUMENTATION FOR QUOTATION OR OTHER PURPOSES, YOU AGREE NOT TO DISCLOSE TO OTHERS THE IDEAS, INFORMATION, OR DESIGNS SHOWN HEREIN, AND THAT YOU WILL MAKE NO USE OF SAME WITHOUT PERMISSION		CHECKED BY:		SIZE: <b>B</b>	DRAWING NO. <b>HWS12651C</b>
			APPROVED BY:		SCALE: <b>N/A</b>	SHEET <b>1</b> OF <b>1</b>

A	6308	02/27/08	INITIAL_RELEASE	BTM	
REV.	ECN	DATE	DESCRIPTION	CHG BY	APPD BY

D

C

B

A

REV. **A**