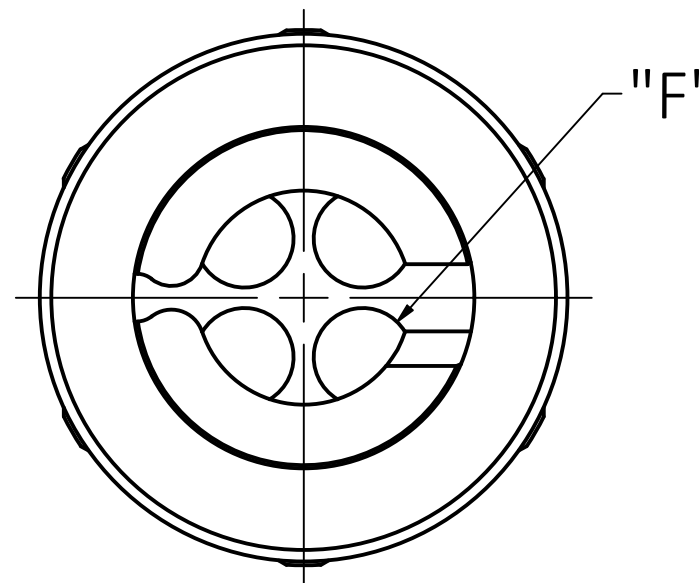
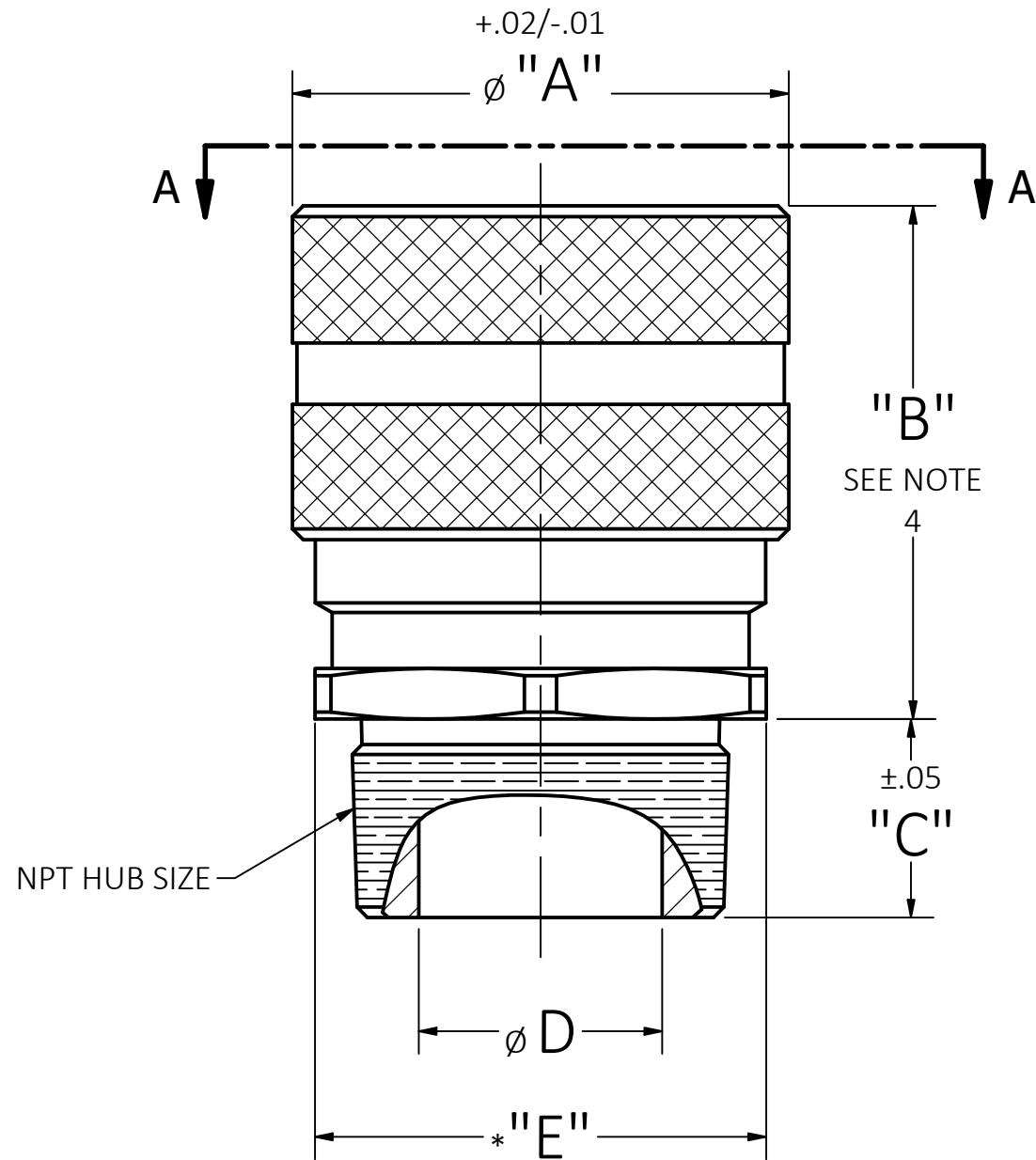


M-14263

1

TABLE

CAT #	BODY COLOR	GOTCHA RING COLOR	NPT HUB SIZE	CORD DIA RANGE	"A" OD	"B" SEE NOTE 4	"C"	"D" THROAT DIA	*"E" ACROSS CORNERS	*"E" ACROSS FLATS	"F" # OF HOLES
MHC1022	ALUMINUM	BROWN	1/2	.23-.29	1.13	1.10	.55	.64	1.11	1.0	2
MHC1032	ALUMINUM	BROWN	3/4	.23-.29	1.38	1.50	.55	.82	1.40	1.25	4



VIEW A-A  
SCALE 2 : 1

NOTES:

1. DIMENSIONS ARE IN INCHES.
2. LOCKNUT PURCHASED SEPARATELY.
3. BUSHING COATED WITH AMBER PETROLEUM JELLY.
4. REFERENCE ONLY. DIMENSION MAY VARY.

PARTS LIST

DESCRIPTION	MATERIAL	FINISH
CORD CONNECTOR BODY STRAIGHT MALE	ALUMINUM	
NUT	ALUMINUM	
GOTCHA RING	Nylon 6/6	SEE TABLE
BUSHING	BLACK NEOPRENE	SEE NOTE 3

SUB.	REVISIONS
1	7/24/20 NEW RELEASE EC 200709053534 JPQ WHD

THE DESIGN AND DIMENSIONS OF THE PRODUCT SHOWN ON THIS DRAWING ARE SUBJECT TO CHANGE WITHOUT NOTICE. DIMENSIONS ARE IN INCHES [mm].

TITLE  
MULTI-HOLE CORD CONNECTOR



WIRING DEVICE-KELLEMS  
HUBBELL INCORPORATED  
SHELTON, CT

TOLERANCES UNLESS OTHERWISE SPECIFIED .XX = ± .01 .XXX = ± .005 ANGLE TOL. ±2'	DR. BY J.QUINN CHK. BY WHD	SCALE 2 : 1 DATE 7/24/20
---	-------------------------------	-----------------------------

M-14263

1

THE DESIGN AND DIMENSIONS OF THE  
PRODUCT SHOWN ON THIS DRAWING ARE  
SUBJECT TO CHANGE WITHOUT NOTICE.  
DIMENSIONS ARE IN INCHES [mm].

TITLE

MULTI-HOLE CORD CONNECTOR



WIRING DEVICE-KELLEMS  
HUBBELL INCORPORATED  
SHELTON, CT

TOLERANCES UNLESS  
OTHERWISE SPECIFIED  
.XX = ± .01  
.XXX = ± .005  
ANGLE TOL. ±2'

DR. BY J.QUINN

SCALE

CHK. BY WHD

DATE 07/27/20