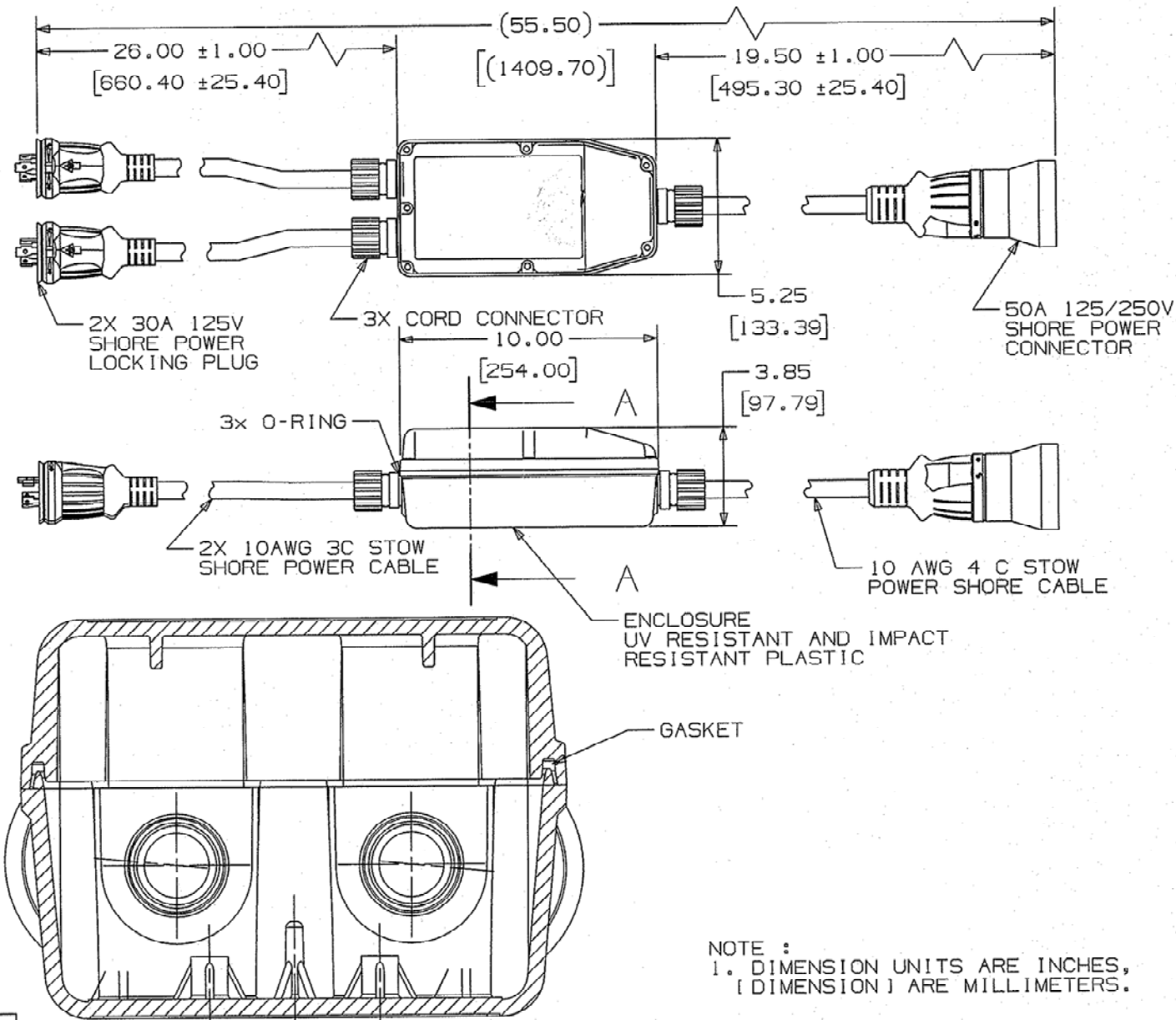


M-10038 3



NOTE :  
 1. DIMENSION UNITS ARE INCHES,  
 [ DIMENSION ] ARE MILLIMETERS.

LIST OF PARTS

DESCRIPTION	MATERIAL	FINISH
ENCLOSURE	PBT	YELLOW
SHORE POWER PLUG	PVC	YELLOW
SHORE POWER CONN.	PVC	YELLOW
CONN. BOOT	EPDM	YELLOW
CORD CONN.	NYLON	GREY
O-RING	EPDM	BLACK

3	ADDED O-RING PER DCN 16213	APP	12/8/09
2	ADD DATA (LIST OF PARTS) ADD 3X CORD CONNECTOR ADD NOTE 1. DCN 13053	GPK WUH	4/20/06
1	RELEASED PER DCN12887	WUH	3/22/06
SYM	REVISIONS	APP	DATE

THE DESIGN AND DIMENSIONS OF THE PRODUCT SHOWN ON THIS DRAWING ARE SUBJECT TO CHANGE WITHOUT NOTICE

TITLE  
 YQ230  
 MARINE ADAPTER

TOLERANCES UNLESS OTHERWISE SPECIFIED FRACTIONS ± 1/64 DECIMALS ± .005 ANGLES ± 2°	WIRING DEVICE-KELLEMS HUBBELL INCORPORATED BRIDGEPORT, CT	
	DR. BY MJM	APP. BY WUH
	TR. BY	SCALE N/A
	CHK'D BY WUH	DATE 3/23/06

DIMENSION SHEET FOR CAT. NO. YQ230

REPAIRABLE  NON-REPAIRABLE

B

M-10038

3