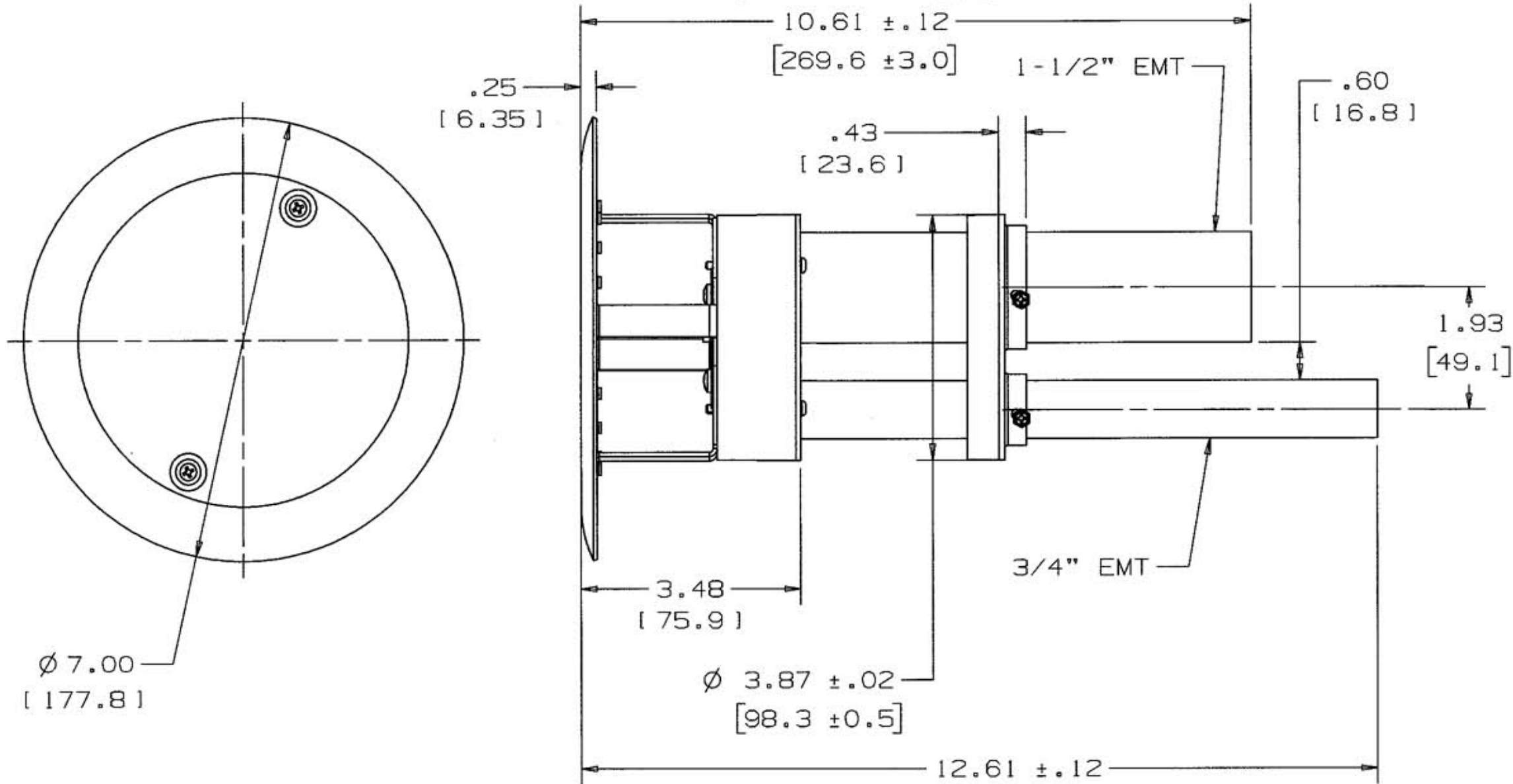


M-10052 2



NOTES: UNLESS OTHERWISE SPECIFIED:

1. DIMENSIONS IN INCHES [MM].
2. UL LISTED CEYY and cUL LISTED CEYY7 OUTLET BOXES AND FITTINGS CLASSIFIED FOR FIRE RESISTANCE.
3. FOR USE IN 1, 1-1/2, 2, 3 OR 4 HOUR RATED UNPROTECTED REINFORCED CONCRETE FLOORS OR IN 1, 2 OR 3 HOUR RATED FLOORS EMPLOYING STEEL FLOOR UNITS AND CONCRETE TOPPING (D-900-SERIES DESIGNS) OR IN CONCRETE FLOORS WITH SUSPENDED CEILINGS.
4. FLOOR THICKNESS RANGE: 2-1/4" (OVER METAL DECK) TO 7" [57.2 TO 177.8].

LIST OF PARTS

DESCRIPTION	MATERIAL	FINISH
INSTALLATION PLATE	GALV. CRS	
(2) SCREW, #6 FT.HD.	STEEL	ZINC PLT.
FLOOR CUP 4X4	GALV. CRS	
(2) POSITION CLIP	STAIN. STL.	
(2) SCREW, MT6, CLIP	STEEL	ZINC PLT.
(2) FIRE BARRIER	FIRE BAR. MATL.	NATURAL
WIRING TUBE ASSEMBLY		
(4) SCREW, TORX PN.HD.	PVC	GRAY
DIVIDER EXTENSION	GALV. CRS	

SYM	REVISIONS	APP	DATE
2	ADDED DIVIDER EXTENSION PER DCN 14231 MSS	SM	10.18.07
1	NEW RELEASE PER DCN 12971 CAC	CAC	3-8-06

SYM	REVISIONS	APP	DATE
2	ADDED DIVIDER EXTENSION PER DCN 14231 MSS	SM	10.18.07
1	NEW RELEASE PER DCN 12971 CAC	CAC	3-8-06

THE DESIGN AND DIMENSIONS OF THE PRODUCT SHOWN ON THIS DRAWING ARE SUBJECT TO CHANGE WITHOUT NOTICE

TITLE  
SYSTEM ONE A/V THRU FLOOR FITTING

TOLERANCES UNLESS OTHERWISE SPECIFIED FRACTIONS ± 1/64 DECIMALS ± .010 ANGLES ± 2°	WIRING DEVICE-KELLEMS HUBBELL INCORPORATED BRIDGEPORT, CT	
	DR. BY CAC	APP. BY CAC
	TR. BY	SCALE 1/2
	CHK'D BY CAC	DATE 3-03-06

DIMENSION SHEET FOR CAT. NO. SIPTAVFIT REPAIRABLE  NON-REPAIRABLE  B M-10052 2