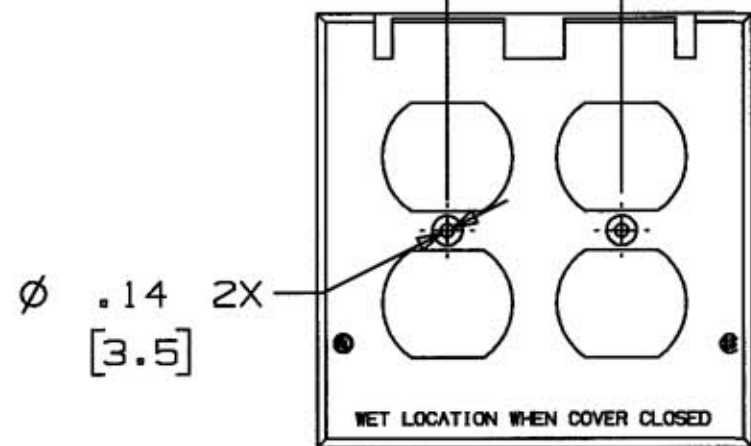
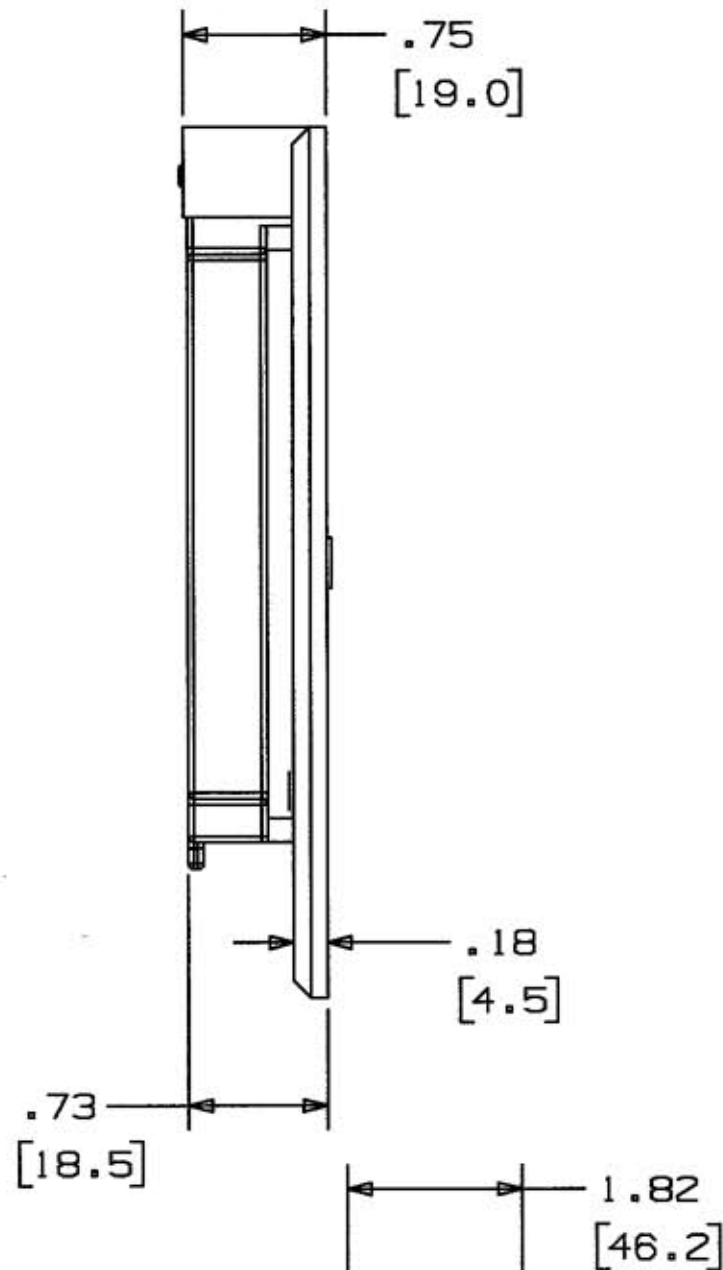
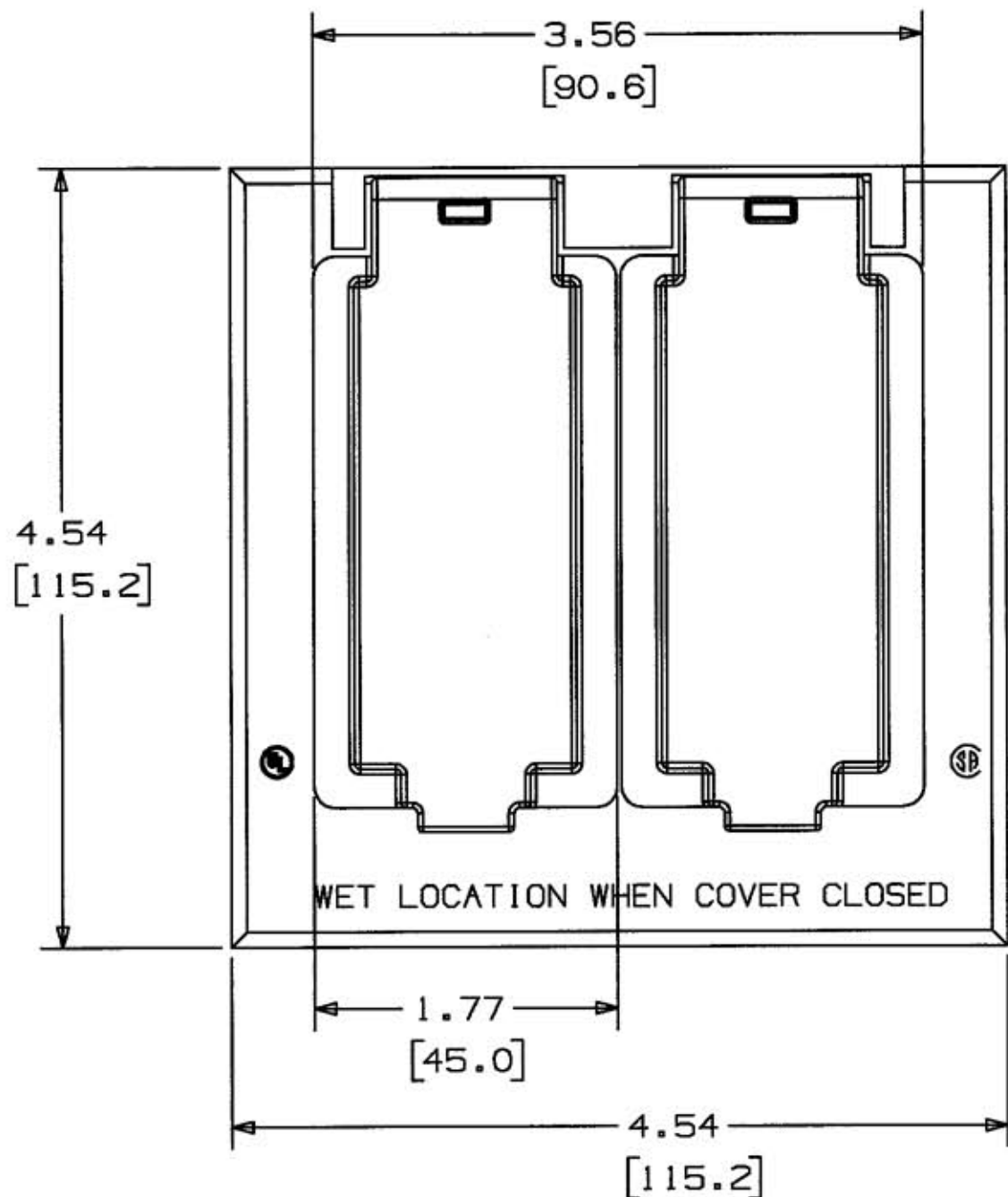


M-10095 1



CONFIGURATION

PRODUCT INCLUDES FOLLOWING ITEMS:

1. FOAM GASKET MATERIAL FOR WEATHERPROOF SEAL.
2. COVER MOUNTING SCREW 2 PROVIDED.
3. INSTALLATION INSTRUCTIONS.
4. DIMENSIONS ARE IN INCHES [MM].

CODE 74545

LIST OF PARTS

DESCRIPTION	MATERIAL	FINISH
2 GANG COVER	ZINC	PAINT-GRAY
GASKET	FOAM	BLACK
MTG. SCREW	STEEL	PLATE

DIMENSION SHEET FOR CAT. NO. RW51320

REPAIRABLE  NON-REPAIRABLE

1	"X" REMOVED; LAST "X" REV. WAS "X-1" PER DCN #13326 AMZ	APP. <i>AMZ</i>	DATE 08/07/06
SYM	REVISIONS	APP	DATE

THE DESIGN AND DIMENSIONS OF THE PRODUCT SHOWN ON THIS DRAWING ARE SUBJECT TO CHANGE WITHOUT NOTICE

TITLE  
COVER, WEATHER RESISTANT 2-G, DUPLEX (HORIZONTAL)

TOLERANCES UNLESS OTHERWISE SPECIFIED		HUBBELL WIRING SYSTEMS BRIDGEPORT, CT	
FRACTIONS	$\pm 1/64$	DR. BY	AMZ
DECIMALS	$\pm .05$	APP. BY	<i>AMZ</i>
ANGLES	$\pm 2^\circ$	TR. BY	SCALE NONE
		CHK'D BY	<i>AMZ</i> DATE 04/06/06

M-10095

1