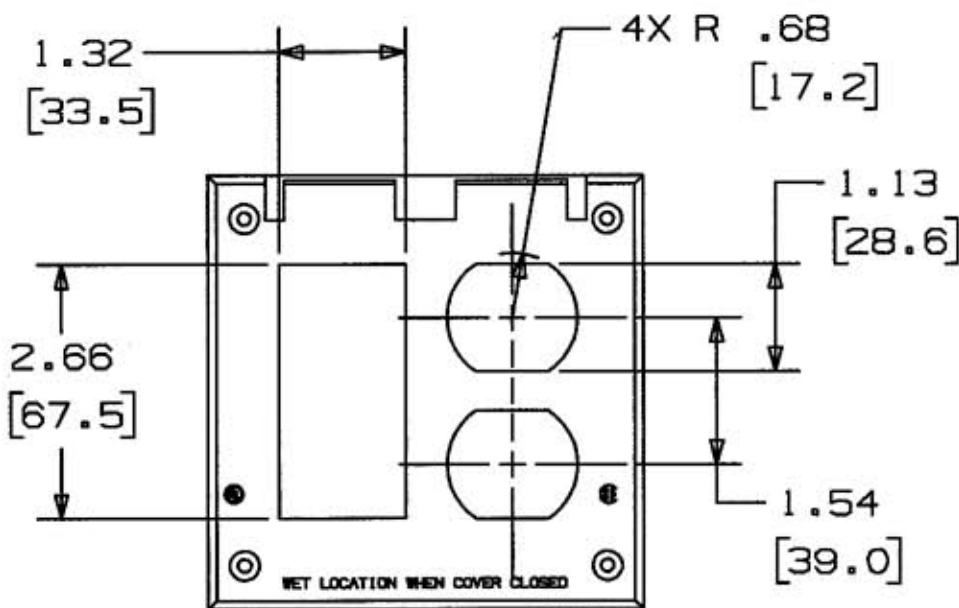
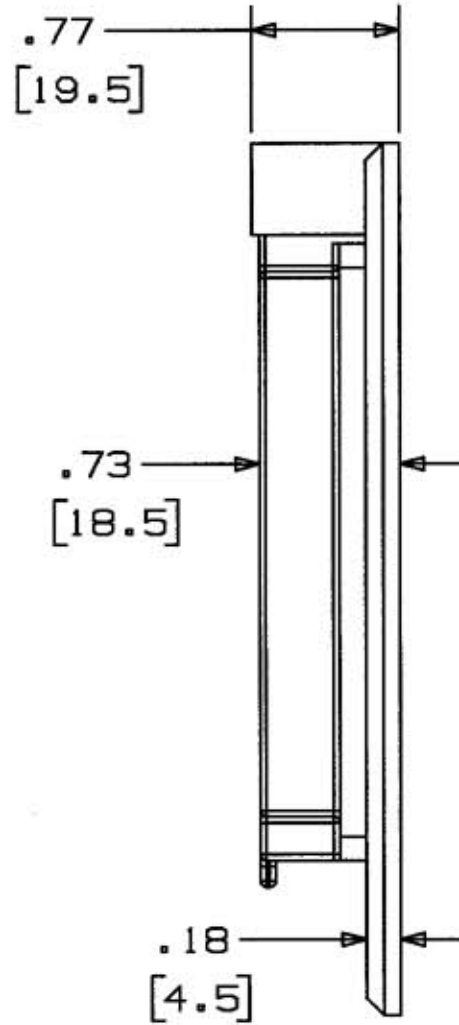
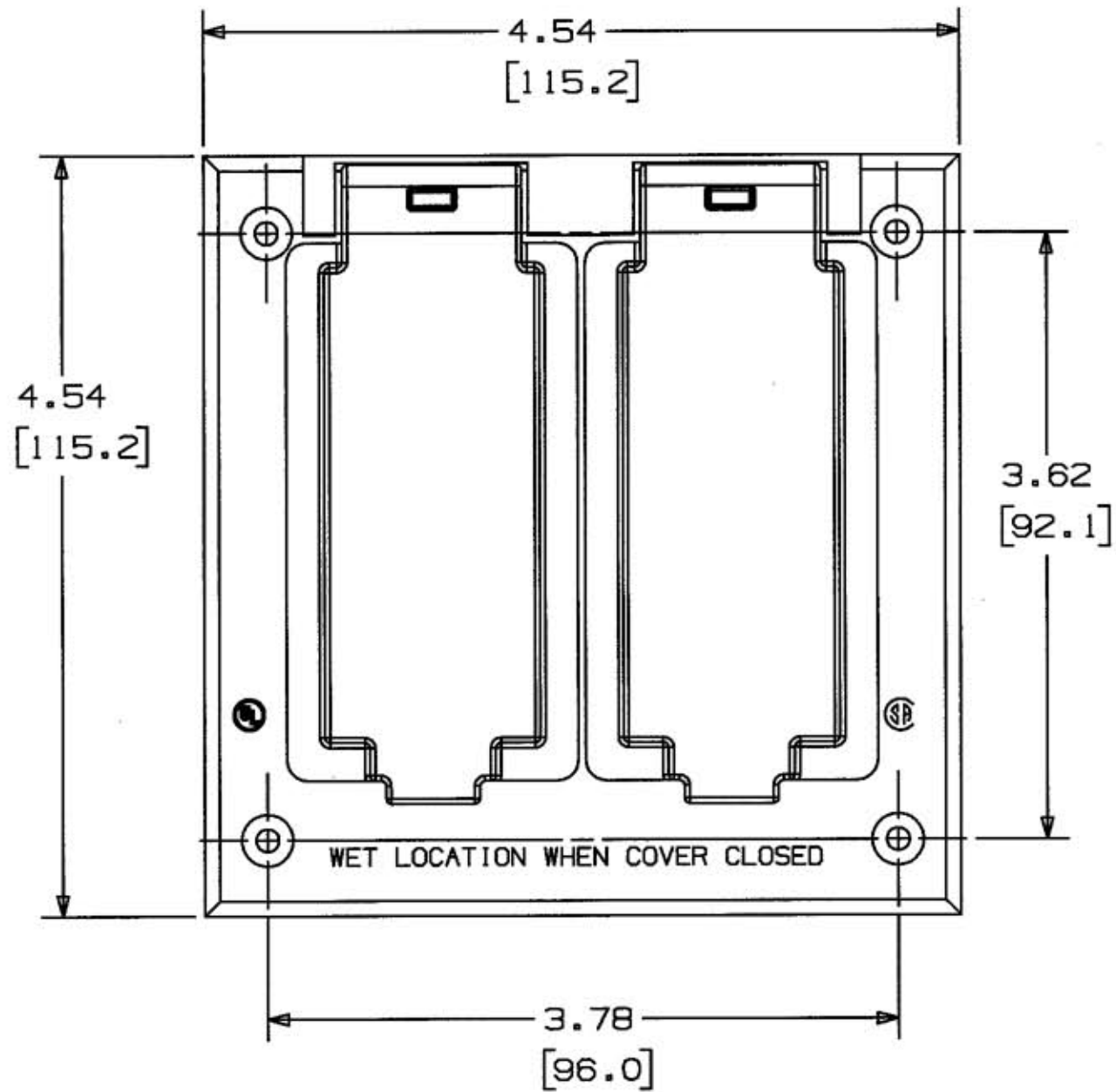


M-10096 1



CONFIGURATION

PRODUCT INCLUDES FOLLOWING ITEMS:

1. FOAM GASKET MATERIAL FOR WEATHERPROOF SEAL.
2. COVER MOUNTING SCREW 4 PROVIDED.
3. INSTALLATION INSTRUCTIONS.
4. DIMENSIONS ARE IN INCHES [MM].

CODE 74545

LIST OF PARTS

DESCRIPTION	MATERIAL	FINISH
2 GANG COVER	ZINC	PAINT-GRAY
GASKET	FOAM	BLACK
MTG. SCREW	STEEL	PLATE

1	"X" REMOVED; LAST "X" REV. WAS "X-1" PER DCN #13328 AMZ		08/07/06
SYM	REVISIONS	APP	DATE

THE DESIGN AND DIMENSIONS OF THE PRODUCT SHOWN ON THIS DRAWING ARE SUBJECT TO CHANGE WITHOUT NOTICE

TITLE COVER
WEATHER RESISTANT
2-G, 1 GFCI/DECO, 1 DUPLEX
(VERTICAL)

TOLERANCES UNLESS OTHERWISE SPECIFIED	HUBBELL WIRING SYSTEMS BRIDGEPORT, CT	
FRACTIONS ± 1/64	DR. BY AMZ	APP. BY FJ
DECIMALS ± .05	TR. BY	SCALE NONE
ANGLES ± 2°	CHK'D BY FJ	DATE 04/06/06