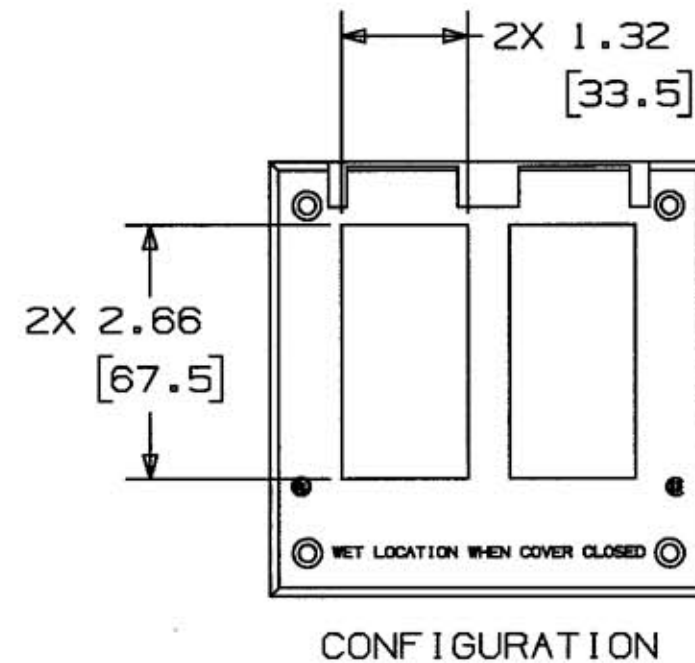
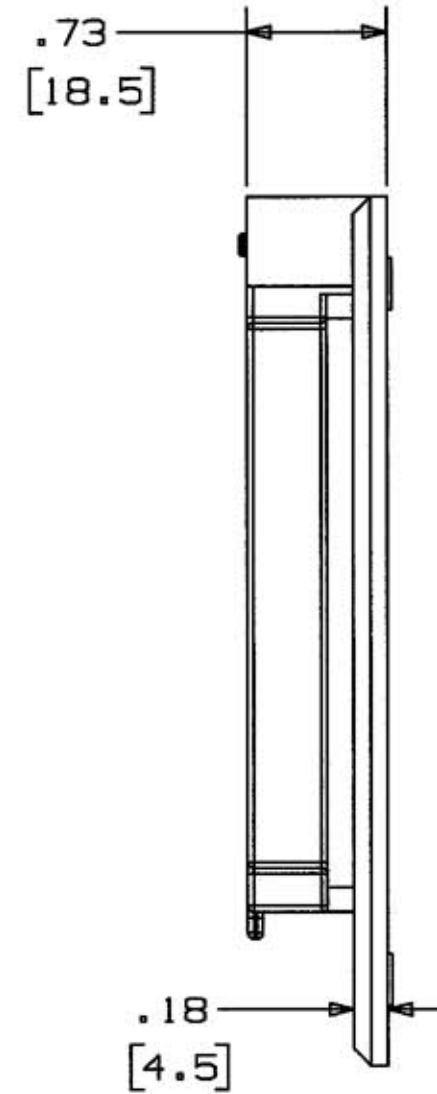
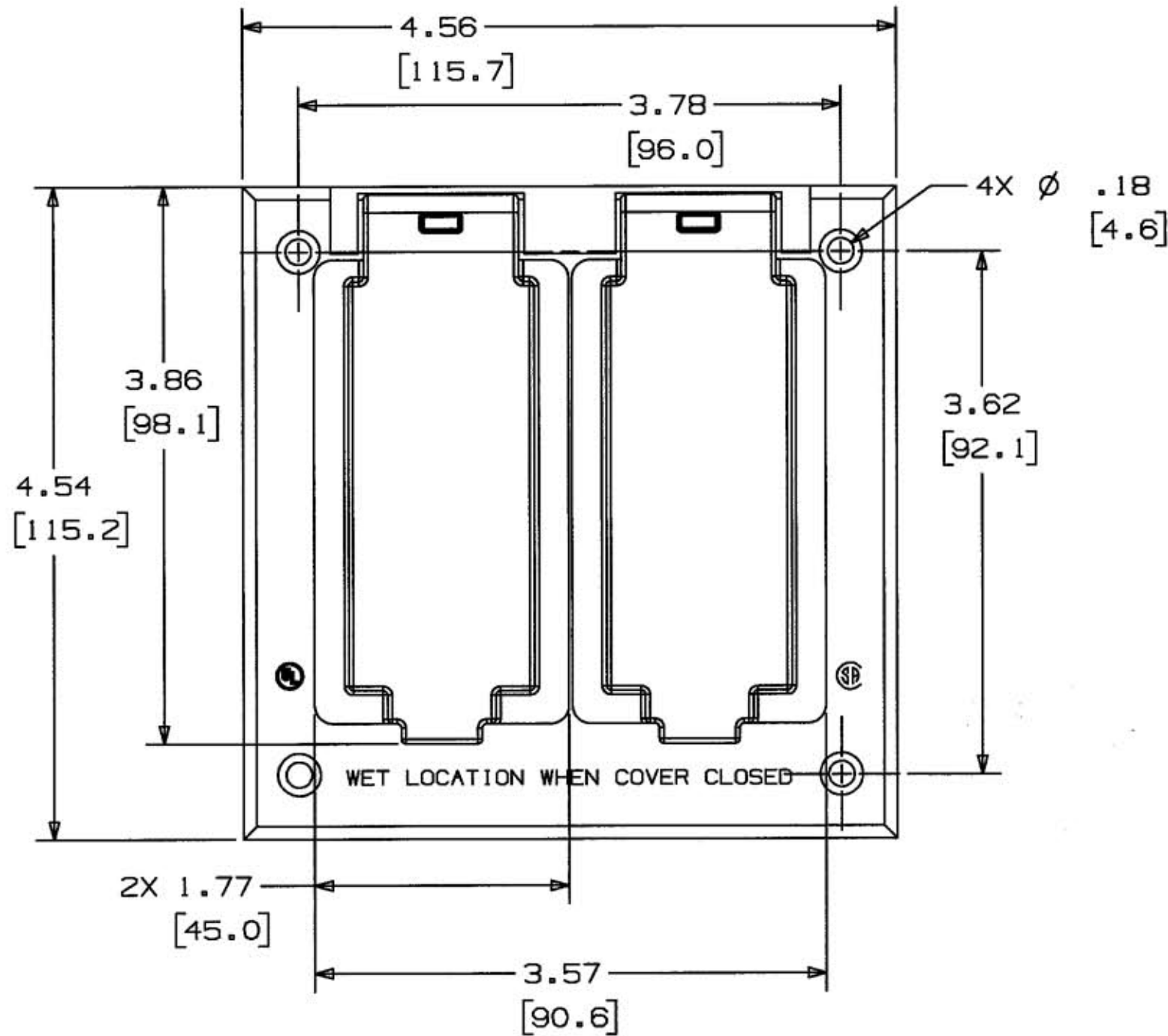


M-10098 1



PRODUCT INCLUDES FOLLOWING ITEMS:

1. FOAM GASKET MATERIAL FOR WEATHERPROOF SEAL.
2. COVER MOUNTING SCREW 4 PROVIDED.
3. INSTALLATION INSTRUCTIONS.
4. DIMENSIONS ARE IN INCHES [MM].

CODE 74545

LIST OF PARTS

DESCRIPTION	MATERIAL	FINISH
2 GANG COVER	ZINC	PAINT-GRAY
GASKET	FOAM	BLACK
MTG. SCREW	STEEL	PLATE

SYM	REVISIONS	APP	DATE
1	"X" REMOVED; LAST "X" REV. WAS "X-1" PER DCN #13328 AMZ	TS	08/07/06

THE DESIGN AND DIMENSIONS OF THE PRODUCT SHOWN ON THIS DRAWING ARE SUBJECT TO CHANGE WITHOUT NOTICE

TITLE	COVER WEATHER RESISTANT 2-G, 2 GFCI/DECO (VERTICAL)
-------	--

TOLERANCES UNLESS OTHERWISE SPECIFIED	HUBBELL WIRING SYSTEMS BRIDGEPORT, CT
FRACTIONS ± 1/64	DR. BY AMZ
DECIMALS ± .05	APP. BY TS
ANGLES ± 2°	TR. BY
	SCALE NONE
	CHK'D BY TS
	DATE 04/06/06

DIMENSION SHEET FOR CAT. NO. RW51450 REPAIRABLE NON-REPAIRABLE B M-10098 1