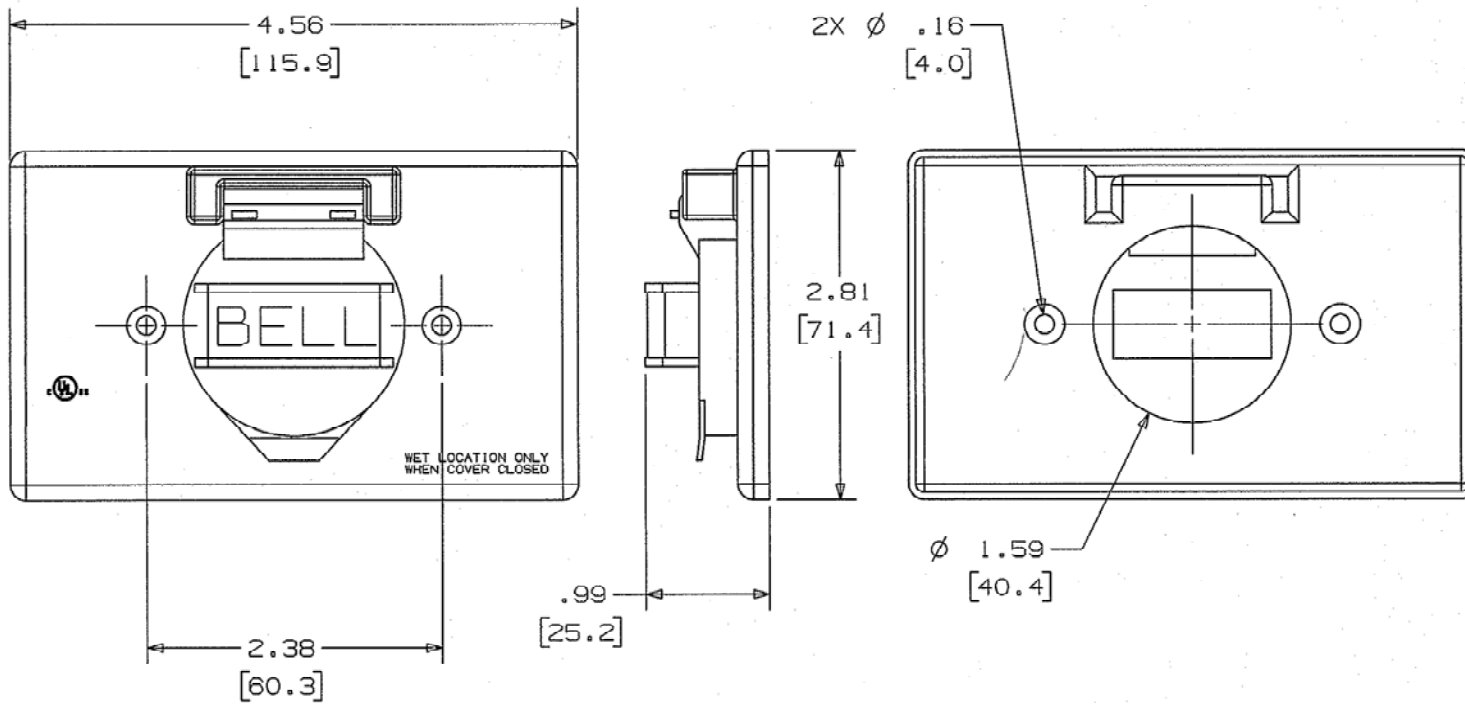


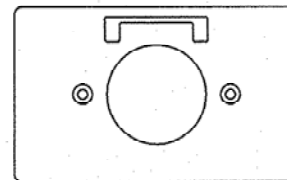
M-10099 2



WET LOCATION ONLY
WHEN COVER CLOSED

PRODUCT INCLUDES FOLLOWING ITEMS:

1. FOAM GASKET MATERIAL FOR WEATHERPROOF SEAL.
2. COVER MOUNTING SCREW 2 PROVIDED.
3. INSTALLATION INSTRUCTIONS.
4. DIMENSIONS ARE IN INCHES [MM].



CONFIGURATION

LIST OF PARTS

DESCRIPTION	MATERIAL	FINISH
2 GANG COVER	DIECAST	PAINT-GRAY
GASKET	FOAM	BLACK
MTG. SCREW	STEEL	PLATE

2	2 GANG COVER MATERIAL DIECAST WAS ZINC. PER DCN 16316 SPN	DJP	3/9/10
1	"X" REMOVED; LAST "X" REV. WAS "X-1" PER DCN #13326 AMZ	FJ	08/07/08
SYM	REVISIONS	APP	DATE

THE DESIGN AND DIMENSIONS OF THE PRODUCT SHOWN ON THIS DRAWING ARE SUBJECT TO CHANGE WITHOUT NOTICE

TITLE COVER
WEATHER RESISTANT
1-G, SINGLE DEVICE
(HORIZONTAL)

TOLERANCES UNLESS OTHERWISE SPECIFIED	HUBBELL WIRING SYSTEMS BRIDGEPORT, CT	
FRACTIONS ±1/64	DR. BY AMZ	APP. BY FJ
DECIMALS ±.05	TR. BY	SCALE NONE
ANGLES ±2'	CHK'D BY FJ	DATE 04/06/08

DIMENSION SHEET FOR CAT. NO. **M-10099** REPAIRABLE NON-REPAIRABLE **2**