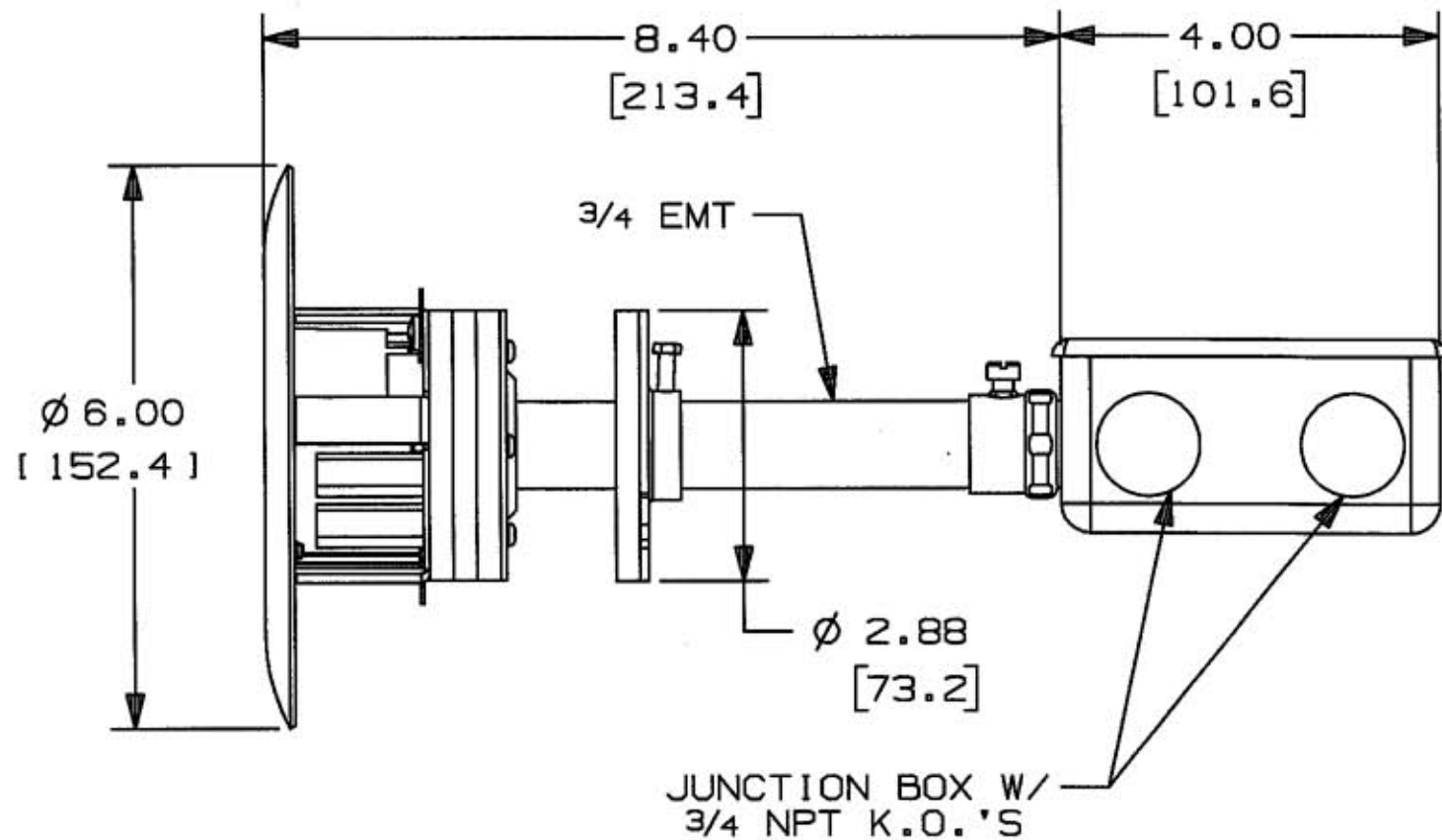
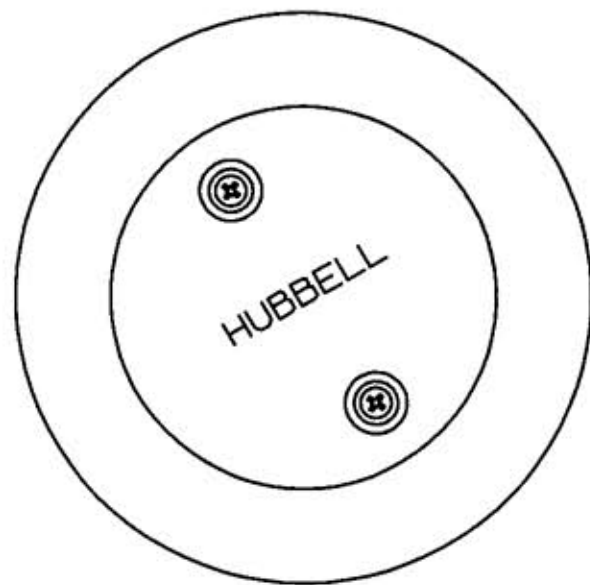


M-10117 | 1



NOTE:
 1. DIMENSIONS ARE IN INCHES [MM].
 2. .XX TOLERANCE TO BE ±.03

CATALOG NUMBER	DESCRIPTION
PT7FSD	W/ JUNCTION BOX
PT73SD	W/O JUNCTION BOX

LIST OF PARTS

DESCRIPTION	MATERIAL	FINISH
INSTALLATION PLATE	STEEL	GALVANIZED
FLOOR CUP	STEEL	GALVANIZED
INSULATOR	THERMOSET	BLACK
FIRE BARRIER	FB525	VINYL COATED
COLLAR	STEEL	ZINC PLATE
CONNECTOR	STEEL	ZINC PLATE
JUNCTION BOX	STEEL	GALVANIZED
BOX COVER	STEEL	GRAY

DIMENSION SHEET FOR CAT. NO.

SEE TABLE

REPAIRABLE

NON-REPAIRABLE

B

M-10117

1

1	RELEASED PER DCN#13080. ABS	APP	5/16/06
SYM	REVISIONS	APP	DATE

THE DESIGN AND DIMENSIONS OF THE PRODUCT SHOWN ON THIS DRAWING ARE SUBJECT TO CHANGE WITHOUT NOTICE

TITLE
 THROUGH-FLOOR FITTING

TOLERANCES UNLESS OTHERWISE SPECIFIED FRACTIONS ±1/64 DECIMALS ±.005 ANGLES ±2°	WIRING DEVICE-KELLEMS HUBBELL INCORPORATED BRIDGEPORT, CT	
	DR. BY ABS	APP. BY <i>APP</i>
	TR. BY	SCALE 1:2
	CHK'D BY <i>APP</i>	DATE 5/16/06