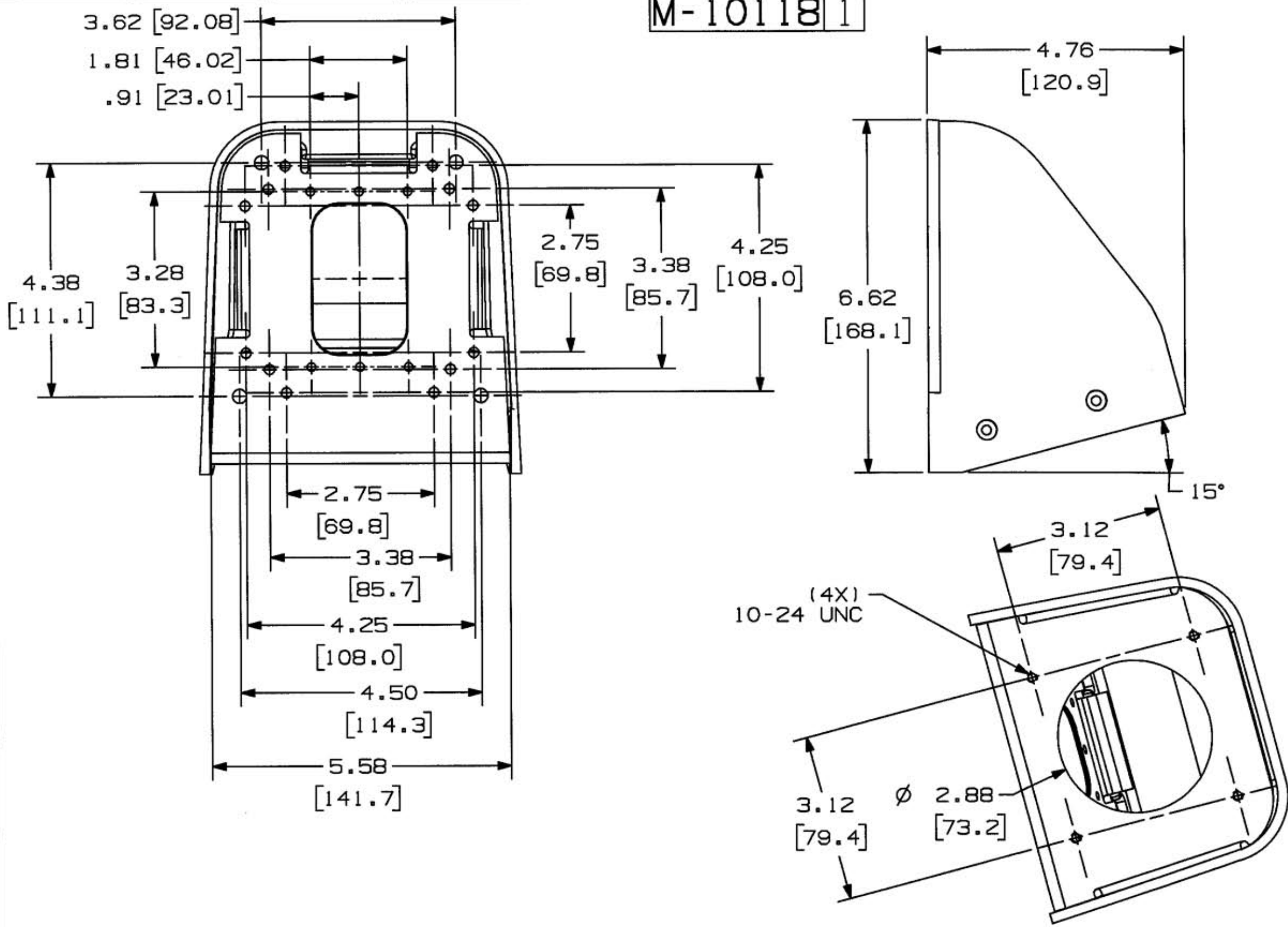


M-10118 1



NOTE:  
 1. DIMENSIONS ARE IN INCHES [MM].  
 2. .XX TOLERANCE TO BE  $\pm$ .03

LIST OF PARTS

DESCRIPTION	MATERIAL	FINISH
COVER	PBT	GRAY
FRAME	STEEL	GRAY
SCREW 8-32	STEEL	ZINC PLATE
SCREW 6-32	STEEL	ZINC PLATE
SCREW 10-32	BRONZE	GREEN

DIMENSION SHEET FOR CAT. NO. AA2030PS REPAIRABLE  NON-REPAIRABLE  B M-10118 1

1	RELEASED PER DCN 13080. ABS	APP	DATE
SYM	REVISIONS	APP	DATE

THE DESIGN AND DIMENSIONS OF THE PRODUCT SHOWN ON THIS DRAWING ARE SUBJECT TO CHANGE WITHOUT NOTICE

TITLE  
 ANGLE WALL BOX ADAPTER

TOLERANCES UNLESS OTHERWISE SPECIFIED	WIRING DEVICE-KELLEMS HUBBELL INCORPORATED BRIDGEPORT, CT	
FRACTIONS $\pm$ 1/64	DR. BY ABS	APP. BY <i>DJP</i>
DECIMALS $\pm$ .005	TR. BY	SCALE 1:2
ANGLES $\pm$ 2°	CHK'D BY <i>DJP</i>	DATE 5/30/06