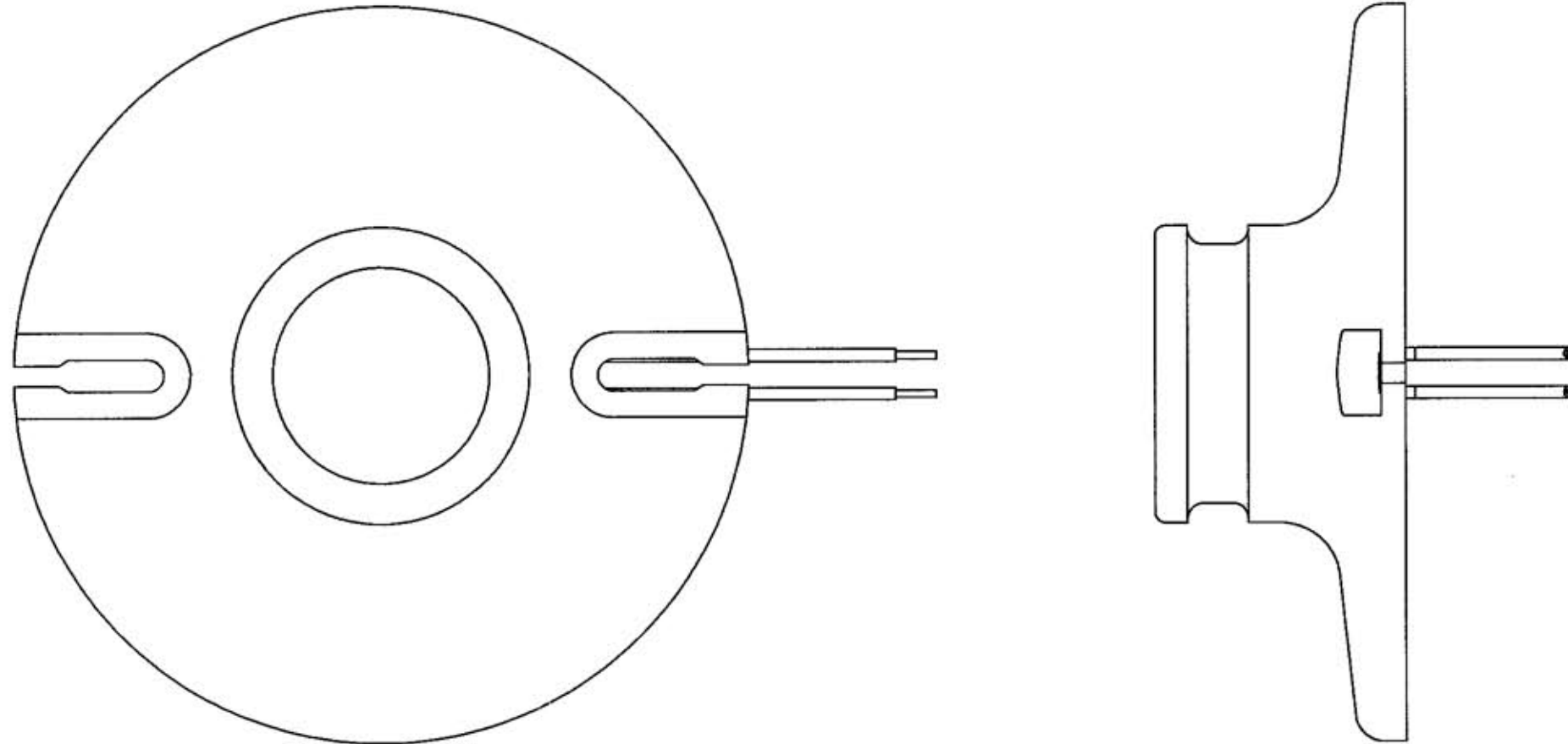


M-10145 2



NOTES:

PRODUCT SPECIFICATIONS

660W-250V
 6" PIGTAIL LEAD #14 AWG STRANDED.
 INCLUDES (2) #8-32 MOUNTING SCREWS
 CUL LISTED

LIST OF PARTS

DESCRIPTION	MATERIAL	FINISH
LAMPHOLDER BASE	PORCELAIN	WHITE
SCREWS, MOUNTING	STEEL	

SYM	REVISIONS	APP	DATE

2	IN "PRODUCT SPECIFICATIONS", "660W-250V" WAS "660W-600V" AND "CUL LISTED" WAS "UL LISTED" PER DCN #14628. JMN	RDK RDK	02/28/08
1	08/21/06 RELEASED TO PRODUCTION PER DCN# 13353	RDK	08/21/06

THE DESIGN AND DIMENSIONS OF THE PRODUCT SHOWN ON THIS DRAWING ARE SUBJECT TO CHANGE WITHOUT NOTICE

TITLE
 OUTLET BOX LAMPHOLDER
 MEDIUM BASE, PORCELAIN
 KEYLESS 6" PIGTAIL LEADS

TOLERANCES UNLESS OTHERWISE SPECIFIED	HUBBELL WIRING SYSTEMS BRIDGEPORT, CT	
FRACTIONS ±1/64	DR. BY AMZ	APP. BY RDK
DECIMALS ±.005	TR. BY	SCALE NONE
ANGLES ±2°	CHK'D BY RDK	DATE 05/09/06

DIMENSION SHEET FOR CAT. NO. RL8806

REPAIRABLE

NON-REPAIRABLE

B

M-10145

2