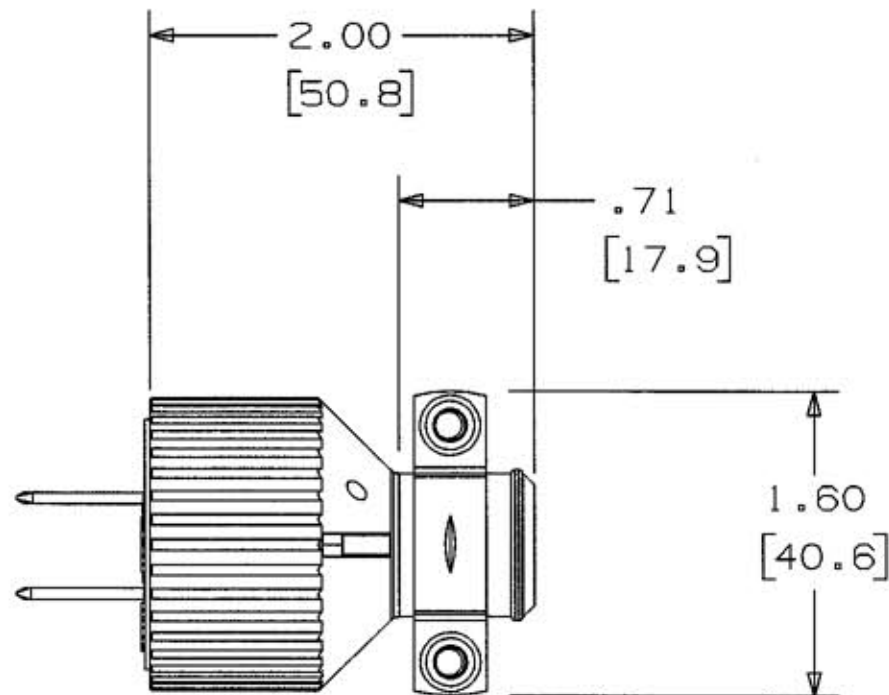
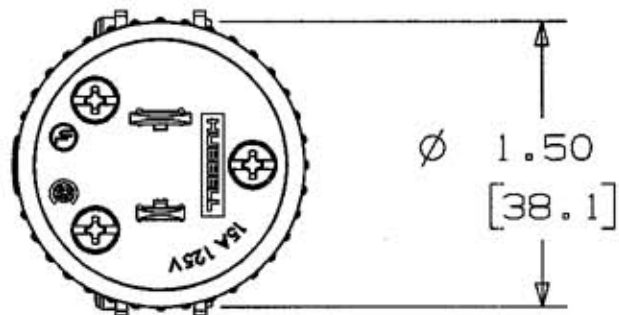


M-10186

1



NOTES:

- 1) WIRE RANGE #14-18 AWG, UP TO ϕ .330" COPPER WIRE ONLY
- 2) UL LISTED AND CSA CERTIFIED
- 3) INCHES [MM]

LIST OF PARTS

DESCRIPTION	MATERIAL	FINISH
HOUSING	RUBBER	BLACK
BLADES	BRASS	
SCREWS	STEEL	
CORD CLAMPS	STEEL	
BLADE HOLDER	PLASTIC	WHITE

DIMENSION SHEET FOR CAT. NO. RP648

REPAIRABLE NON-REPAIRABLE

1	2/27/07 REVISED AND RELEASED FOR PRODUCTION PER EC 13585	DP	02/27/07
SYM	REVISIONS	APP	DATE

THE DESIGN AND DIMENSIONS OF THE PRODUCT SHOWN ON THIS DRAWING ARE SUBJECT TO CHANGE WITHOUT NOTICE

TITLE
STRAIGHT PLUG, POLARIZED, 15A-125V

TOLERANCES UNLESS OTHERWISE SPECIFIED FRACTIONS \pm 1/64 DECIMALS \pm .005 ANGLES \pm 2'	WIRING DEVICE-KELLEMS HUBBELL INCORPORATED BRIDGEPORT, CT	
	DR. BY AMZ	APP. BY <i>[Signature]</i>
	TR. BY	SCALE NONE
	CHK'D BY	DATE 06/01/06

B

M-10186

1