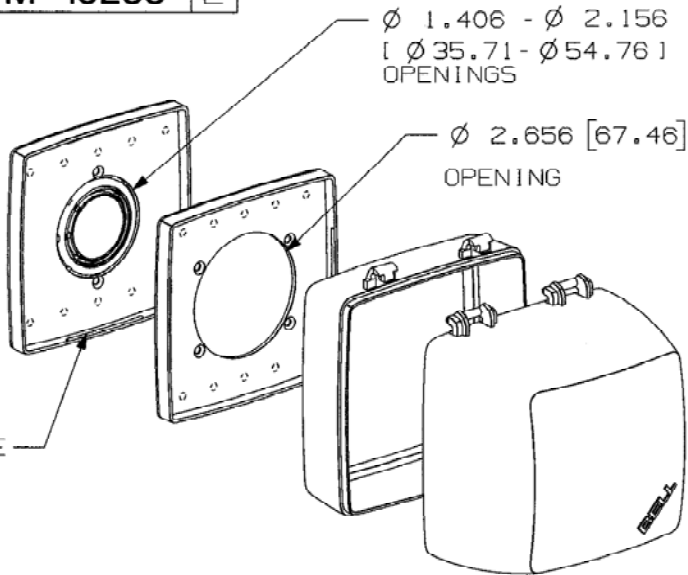
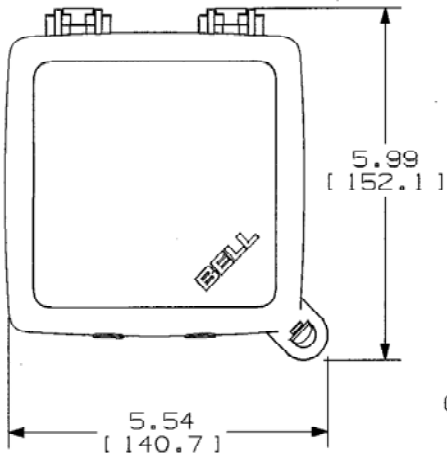
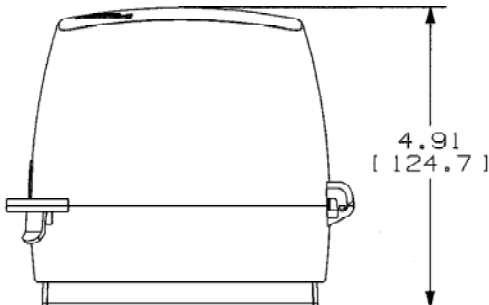
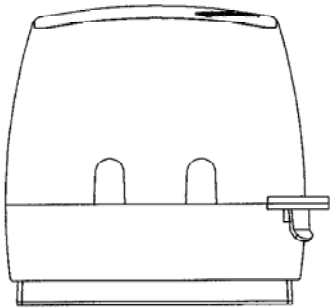


M-10255 2



OPTIONAL PLATE
(INCLUDED)



- NOTES:
 1. GASKET AND (4) MOUNTING SCREWS INCLUDED.
 2. MAX PAD LOCK SHAFT Ø .20 [5.08].
 3. DIMENSIONS ARE IN INCHES [MM].

CODE 74545

LIST OF PARTS		
DESCRIPTION	MATERIAL	FINISH
COVER	POLYCARB	CLEAR
BACK	POLYCARB	GRAY
PLATES	POLYCARB	GRAY
GASKET	FOAM	BLACK
SCREW	STEEL	

SYM	REVISIONS	APP	DATE
2	5.99 WAS 5.94; 4.91 WAS 4.82; REVISED VIEWS TO AGREE WITH REVISED RACO PARTS PER DCN 15134 RCM	DJP	9/10/08
1	"X" REMOVED; LAST "X" REV. WAS "X-1" PER DCN #13328 AMZ	FJ	8/7/06

SYM	REVISIONS	APP	DATE
2	5.99 WAS 5.94; 4.91 WAS 4.82; REVISED VIEWS TO AGREE WITH REVISED RACO PARTS PER DCN 15134 RCM	DJP	9/10/08
1	"X" REMOVED; LAST "X" REV. WAS "X-1" PER DCN #13328 AMZ	FJ	8/7/06

THE DESIGN AND DIMENSIONS OF THE PRODUCT SHOWN ON THIS DRAWING ARE SUBJECT TO CHANGE WITHOUT NOTICE

TITLE WEATHER RESISTANT COVER, IN-USE, 2-GANG SINGLE RECEPTACLE

TOLERANCES UNLESS OTHERWISE SPECIFIED FRACTIONS ±1/64 DECIMALS ±.005 ANGLES ±2°	WIRING DEVICE-KELLEMS HUBBELL INCORPORATED BRIDGEPORT, CT	
	DR. BY AMZ	APP. BY FJ
	TR. BY	SCALE NONE
CHK'D BY FJ	DATE 07/19/06	

DIMENSION SHEET FOR CAT. NO. RW57950

REPAIRABLE NON-REPAIRABLE

B

M-10255

2