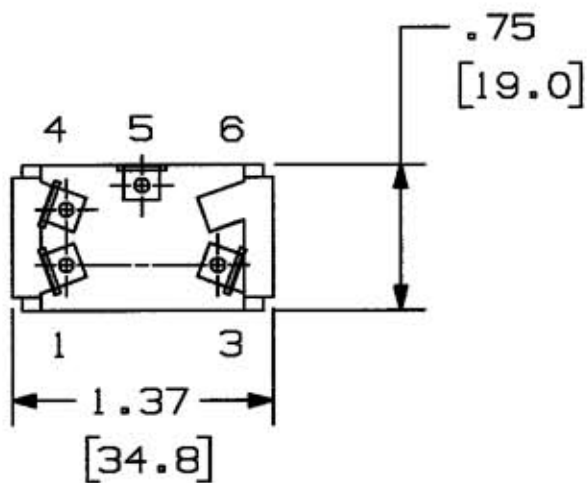
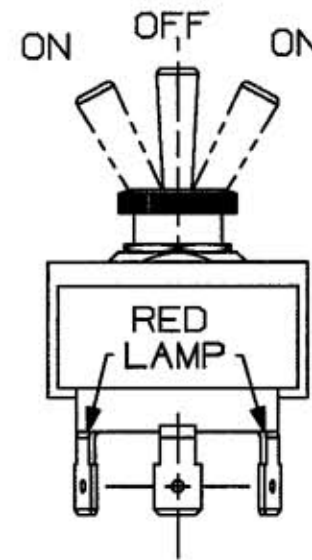
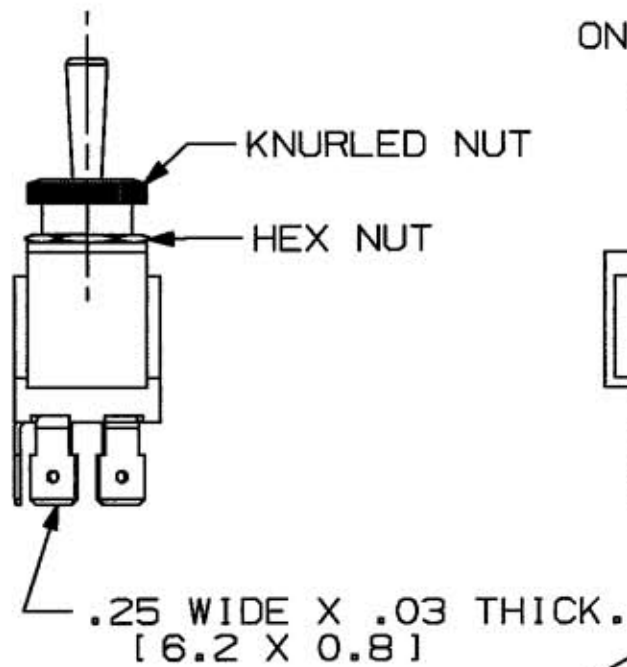
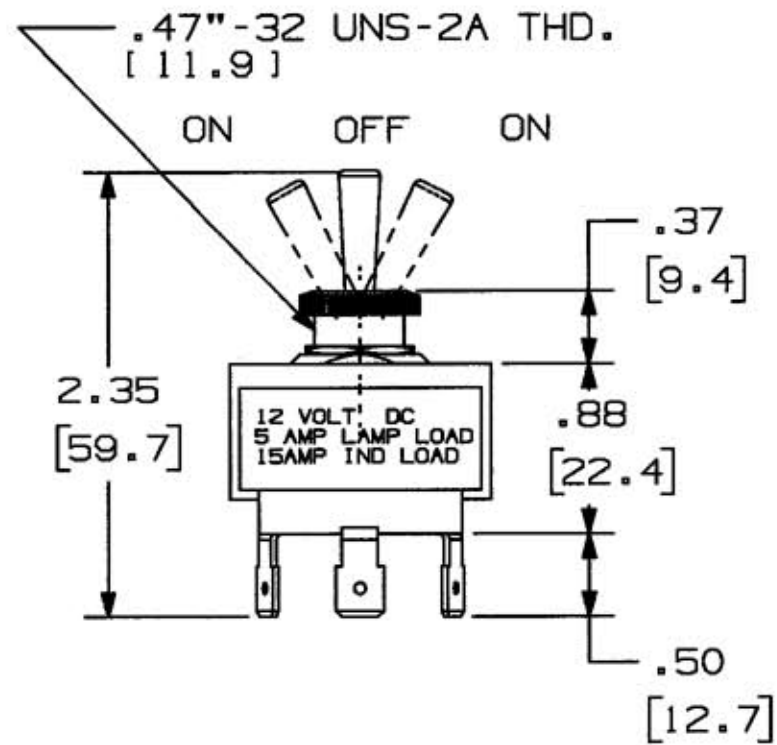
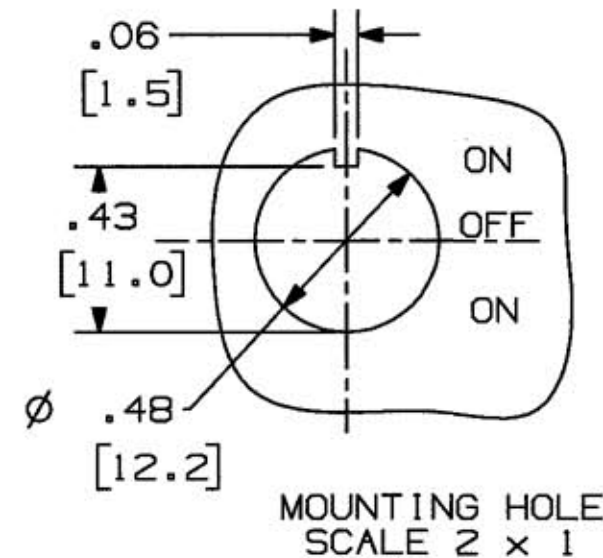
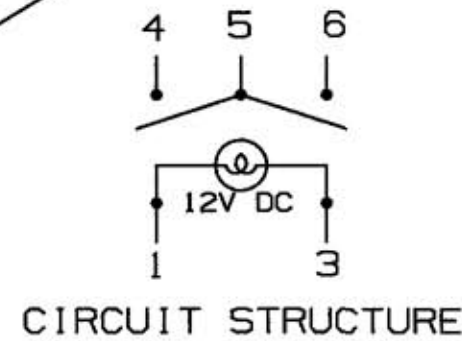


M-10264 1



- NOTE
- 1. DIMENSIONS IN INCHES [MILLIMETERS].
 - 2. SUPPLIED ASSEMBLED WITH:
 - (1) .47"-32 THD. KNURLED NUT (BRASS, BLACK OXIDE).
 - (1) .47"-32 THD. HEX NUT (BRASS, NICKEL PLATE)

CATALOG NO. M123LTR



LIST OF PARTS

DESCRIPTION	MATERIAL	FINISH
REF. D54523		

DIMENSION SHEET FOR CAT. NO.

REPAIRABLE NON-REPAIRABLE

B

M-10264

1

1	RELEASED PER DCN13301 GPK	JPP	10/20/06
SYM	REVISIONS	APP	DATE

THE DESIGN AND DIMENSIONS OF THE PRODUCT SHOWN ON THIS DRAWING ARE SUBJECT TO CHANGE WITHOUT NOTICE

TITLE MARINE TOGGLE SWITCH SPDT ON/OFF/ON LIGHTED TIP

TOLERANCES UNLESS OTHERWISE SPECIFIED		WIRING DEVICE-KELLEMS HUBBELL INCORPORATED BRIDGEPORT, CT	
FRACTIONS ±1/64	TR. BY	APP. BY JPP	SCALE 1=1
DECIMALS ±.005	CHK'D BY TCM	DATE 10/20/06	
ANGLES ±2°			