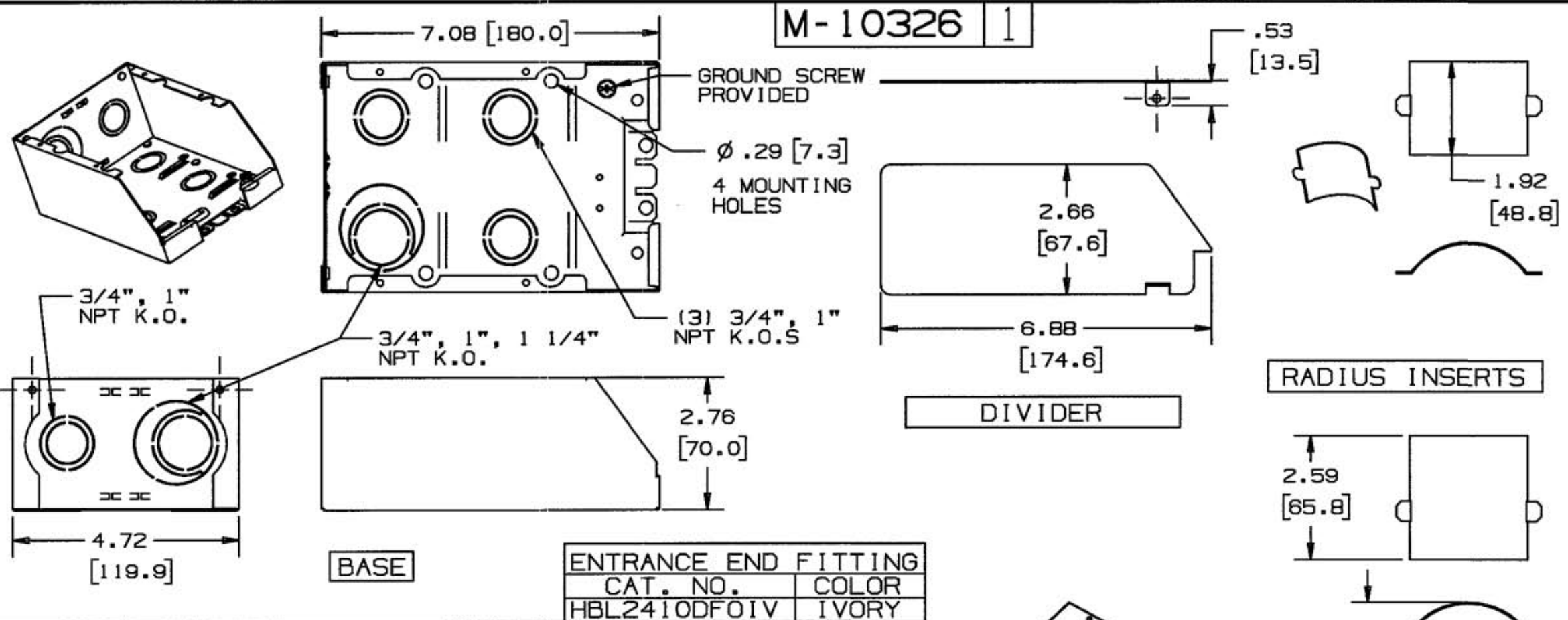
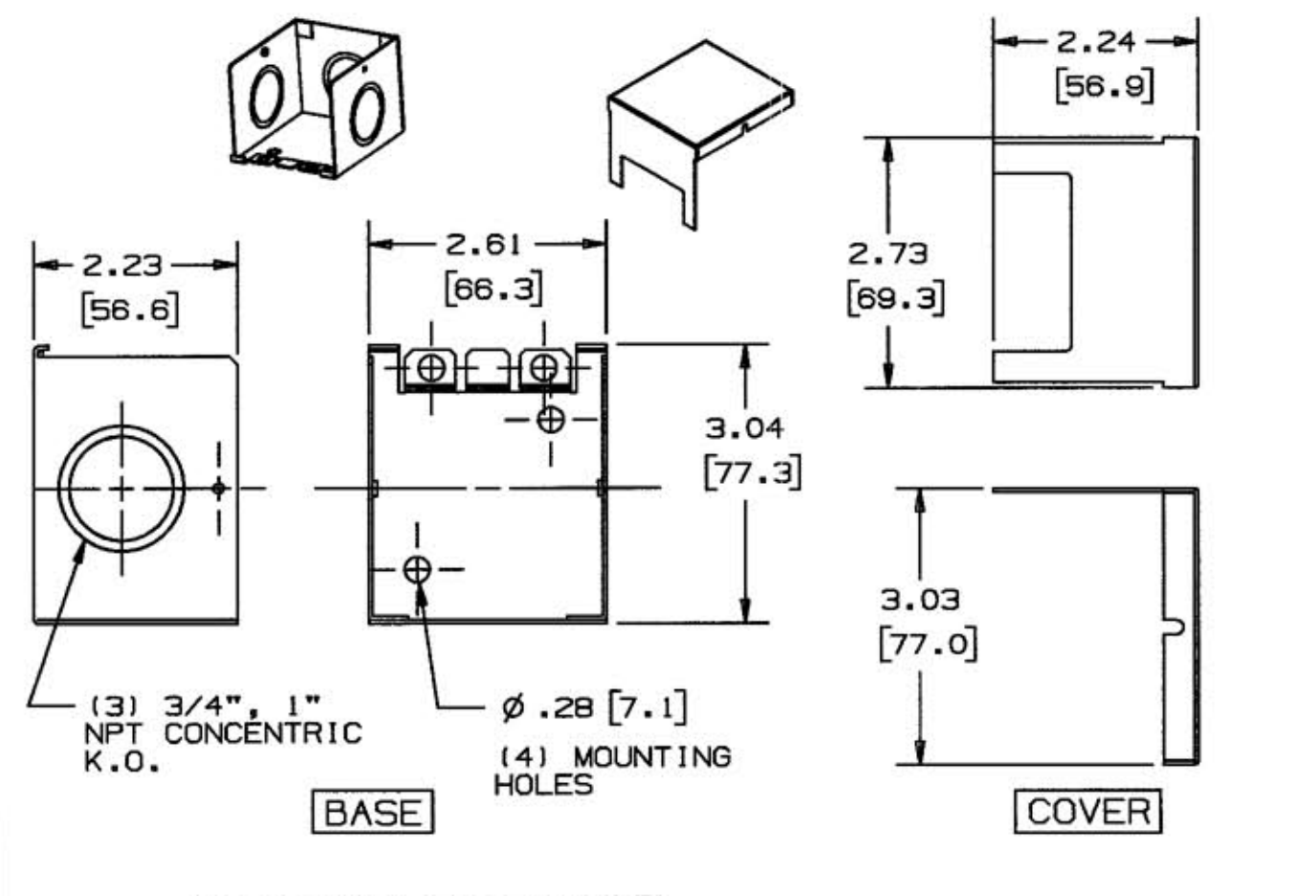


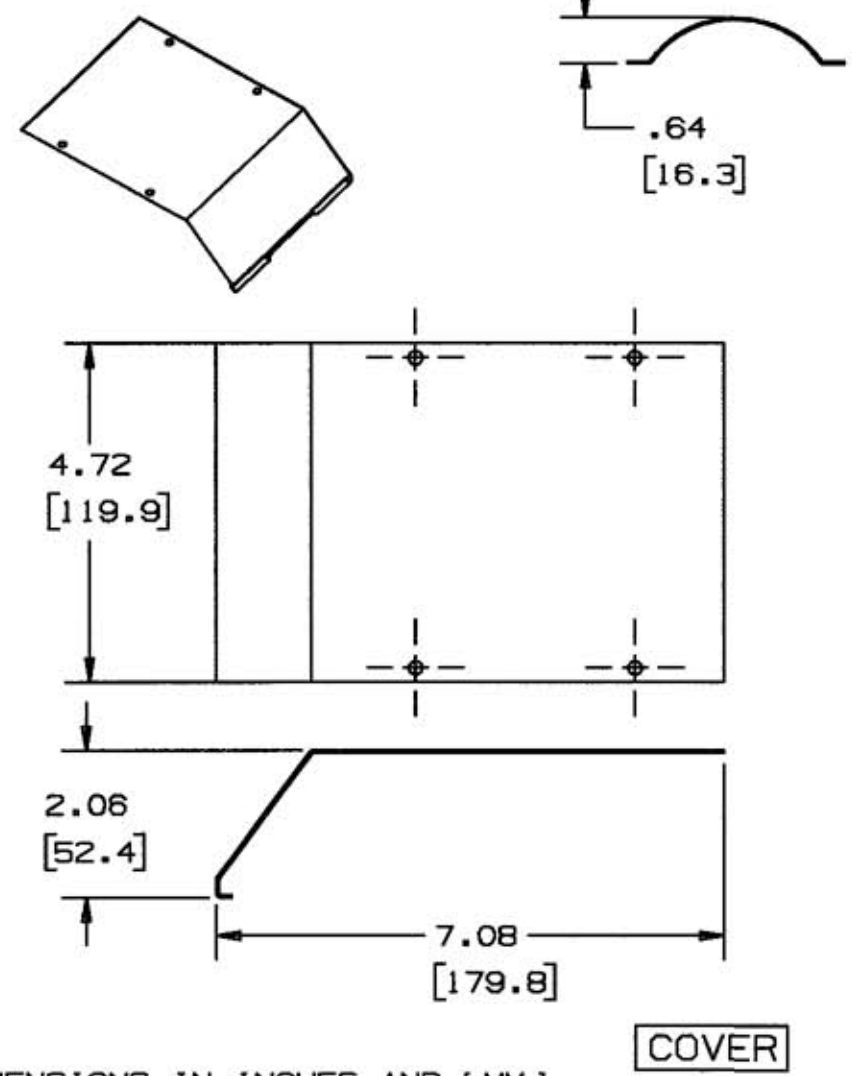
M-10326 1



ENTRANCE END FITTING	
CAT. NO.	COLOR
HBL2410DFOIV	IVORY



ENTRANCE FITTING	
CAT. NO.	COLOR
HBL2410FCIV	IVORY



NOTE: ALL DIMENSIONS IN INCHES AND [MM]

LIST OF PARTS

DESCRIPTION	MATERIAL	FINISH
BASE	STEEL	PAINTED
RADIUS INSERT	STEEL	GALVANIZED
BARRIER	STEEL	GALVANIZED
DIVIDER	STEEL	GALVANIZED
COVER	STEEL	PAINTED

DIMENSION SHEET FOR CAT. NO. M-10326
 REPAIRABLE NON-REPAIRABLE
 SEE TABLE
 B
 M-10326
 1

1	RELEASED PER DCN 13354	SRE	2/15/07
SYM	REVISIONS	APP	DATE

THE DESIGN AND DIMENSIONS OF THE PRODUCT SHOWN ON THIS DRAWING ARE SUBJECT TO CHANGE WITHOUT NOTICE

TITLE
 ENTRANCE END FITTINGS
 HBL2400 & HBL2400D SERIES

TOLERANCES UNLESS OTHERWISE SPECIFIED	WIRING DEVICE-KELLEMS HUBBELL INCORPORATED BRIDGEPORT, CT	
FRACTIONS ± 1/64	DR. BY SRE	APP. BY <i>fm</i>
DECIMALS ± .005	TR. BY	SCALE 1:1
ANGLES ± 2°	CHK'D BY <i>fm</i>	DATE 2/15/07