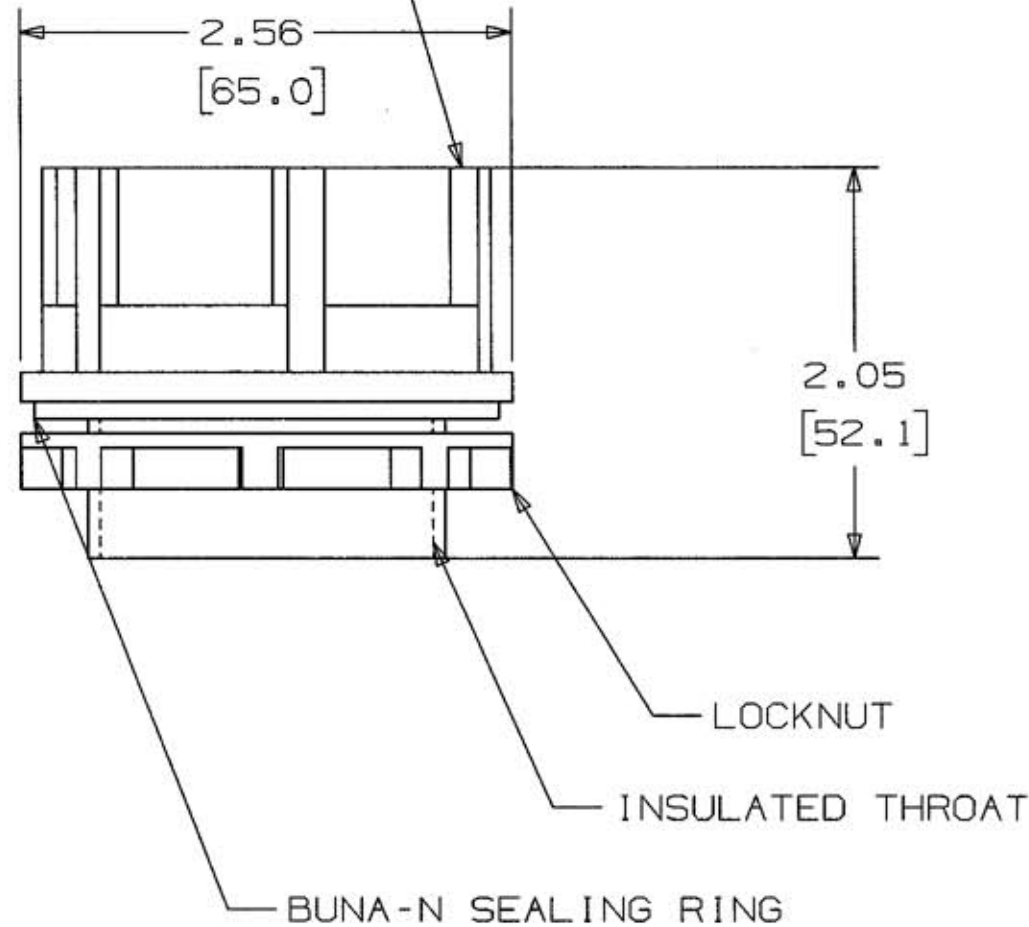


M-10566 1

1-1/2-11.5 NPT THD.



NOTES:

1. CONDUIT HUB IS UL TYPE 4 WATER TIGHT AND CSA LISTED.
2. FOR USE TO CONNECT RIGID METALLIC CONDUIT (RMC) TO STEEL OUTLET BOX OR OTHER METAL ENCLOSURE.
3. DIMENSIONS ARE IN INCHES [mm].

LIST OF PARTS

DESCRIPTION	MATERIAL	FINISH
1-1/2" CONDUIT HUB	DIE CAST	
INSTRUCTION SHEET	PDS2268	(NOT SHOWN)
CHIP BOARD BOX		(NOT SHOWN)
CARTON		(NOT SHOWN)

DIMENSION SHEET FOR CAT. NO. S1AVHUB15

REPAIRABLE NON-REPAIRABLE

1	RELEASED PER DCN 13741	CAC	3-09-07
SYM	REVISIONS	APP	DATE

THE DESIGN AND DIMENSIONS OF THE PRODUCT SHOWN ON THIS DRAWING ARE SUBJECT TO CHANGE WITHOUT NOTICE

TITLE SYSTEM 1 THD CONDUIT HUB WITH CLOSURE PLUG 1-1/2" TRADE SIZE

TOLERANCES UNLESS OTHERWISE SPECIFIED FRACTIONS ± 1/64 DECIMALS ± .005 ANGLES ± 2°	WIRING DEVICE-KELLEMS HUBBELL INCORPORATED BRIDGEPORT, CT	
	DR. BY CAC	APP. BY CAC
	TR. BY	SCALE 1:1
	CHK'D BY CAC	DATE 2-20-07

B M-10566 1