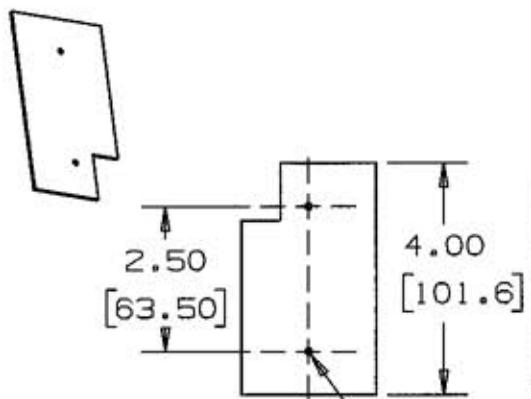
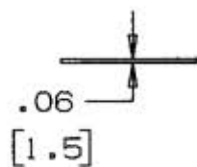


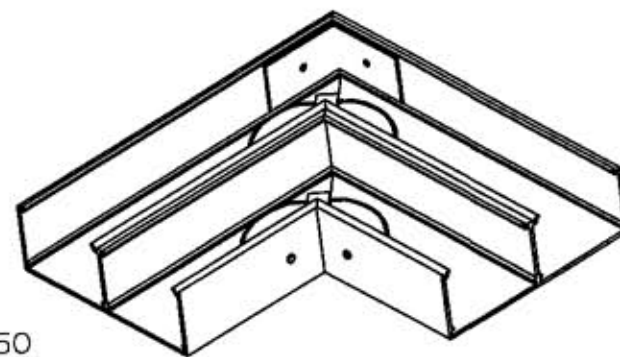
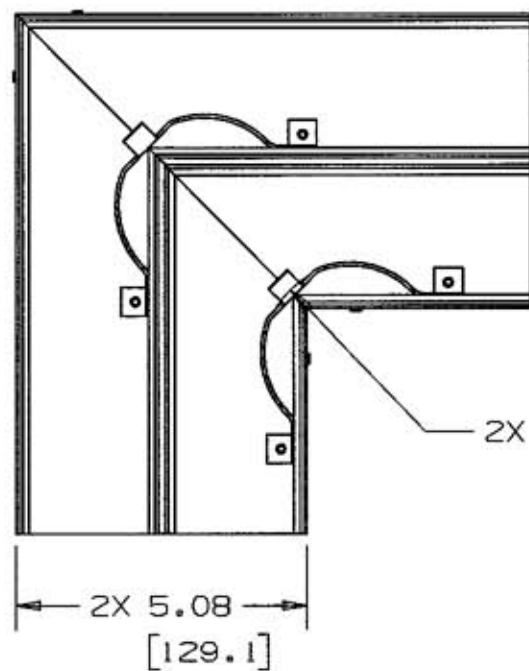
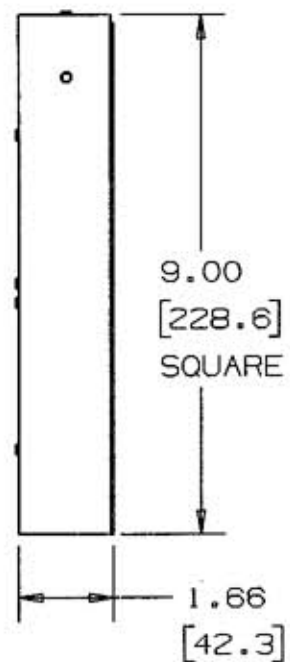
M-10598 2



(2) $\phi .108$ [2.74]
FOR SUPPLIED #6 SCREW



TWO OF THESE COUPLINGS
SUPPLIED WITH
ELBOW ASSEMBLY

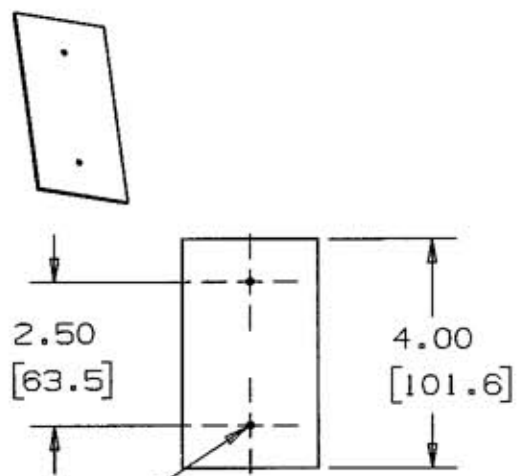


FLAT ELBOW BASE

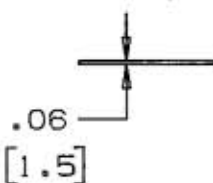
LIST OF PARTS

DESCRIPTION	MATERIAL	FINISH
90° FLAT ELBOW BASE	ALUMINUM	SATIN ANODIZED
COVERS	ALUMINUM	SATIN ANODIZED
COUPLINGS	ALUMINUM	SATIN ANODIZED

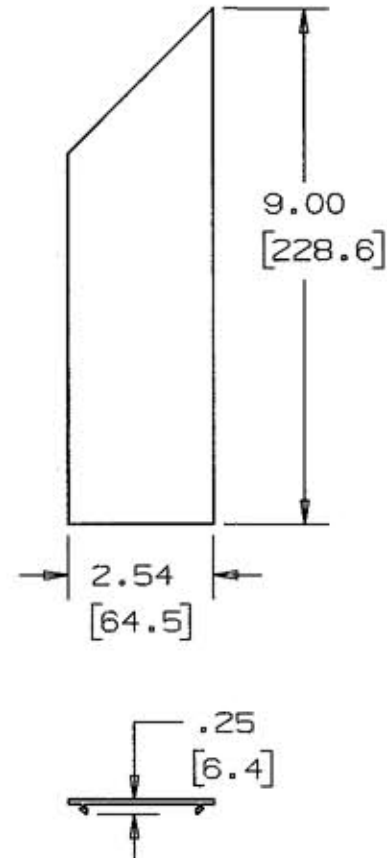
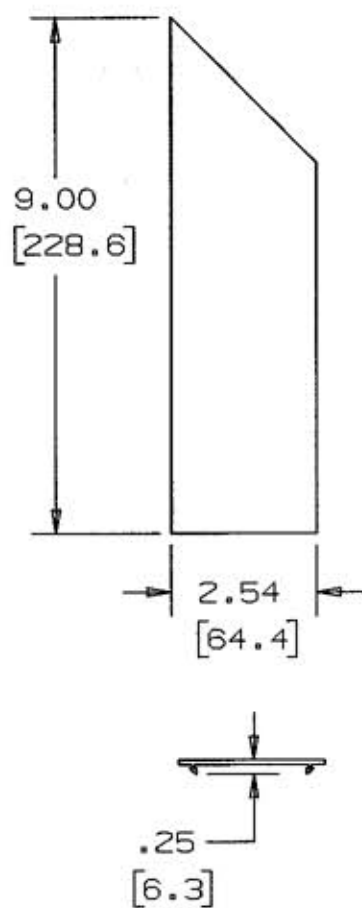
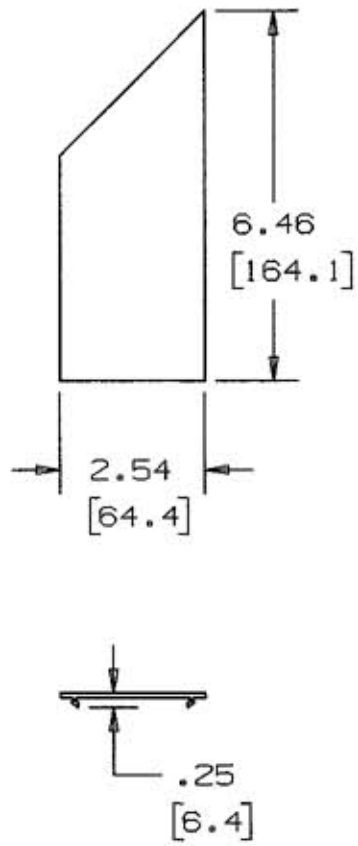
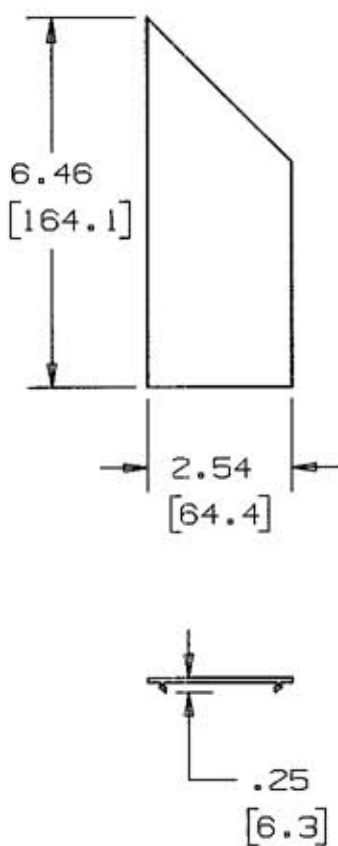
ONE OF EACH COVER SHOWN SUPPLIED WITH ELBOW ASSEMBLY



(2) $\phi .108$ [2.7]
FOR SUPPLIED #6 SCREW



TWO OF THESE COUPLINGS
SUPPLIED WITH
ELBOW ASSEMBLY



2	AT CPLGS HOLE WAS .11 DIA FOR #6 SELF TAPPING SCREW DCN14604	SRE	2/11/08
1	RELEASED PER DCN 13903	SRE	4/26/07
SYM	REVISIONS	APP	DATE

THE DESIGN AND DIMENSIONS OF THE
PRODUCT SHOWN ON THIS DRAWING ARE
SUBJECT TO CHANGE WITHOUT NOTICE

TITLE
FLAT ELBOW
ALUMINUM SERIES

TOLERANCES UNLESS OTHERWISE SPECIFIED	WIRING DEVICE-KELLEMS HUBBELL INCORPORATED BRIDGEPORT, CT	
FRACTIONS ± 1/64	DR. BY SRE	APP. BY SRE
DECIMALS ± .005	TR. BY	SCALE 1:1
ANGLES ± 2°	CHK'D BY SRE	DATE 4/26/07

NOTE: ALL DIMENSIONS IN INCHES AND [MM]

REPAIRABLE NON-REPAIRABLE DIMENSION SHEET FOR CAT. NO. HBLALU5011