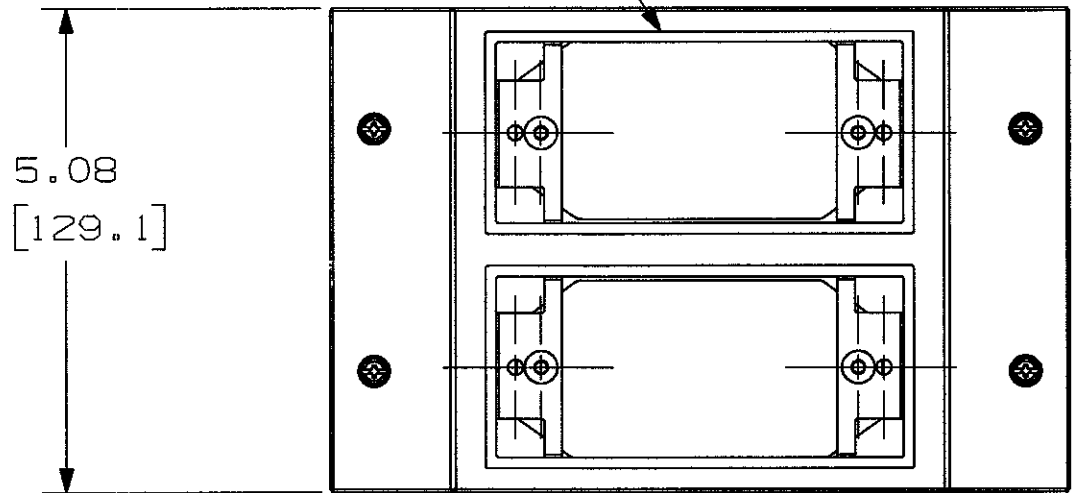
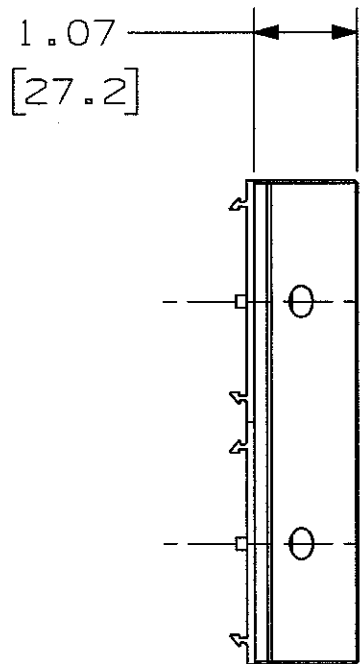
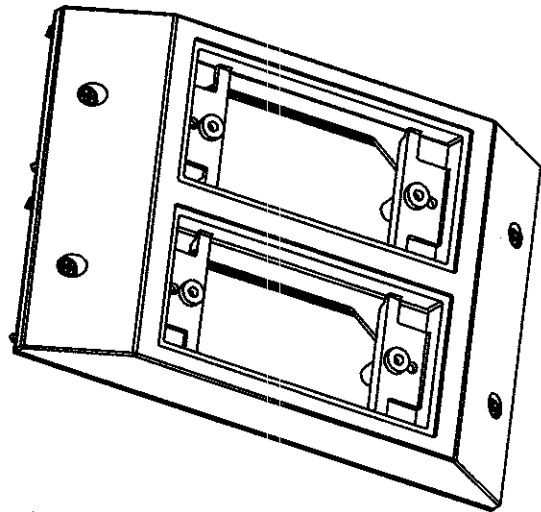
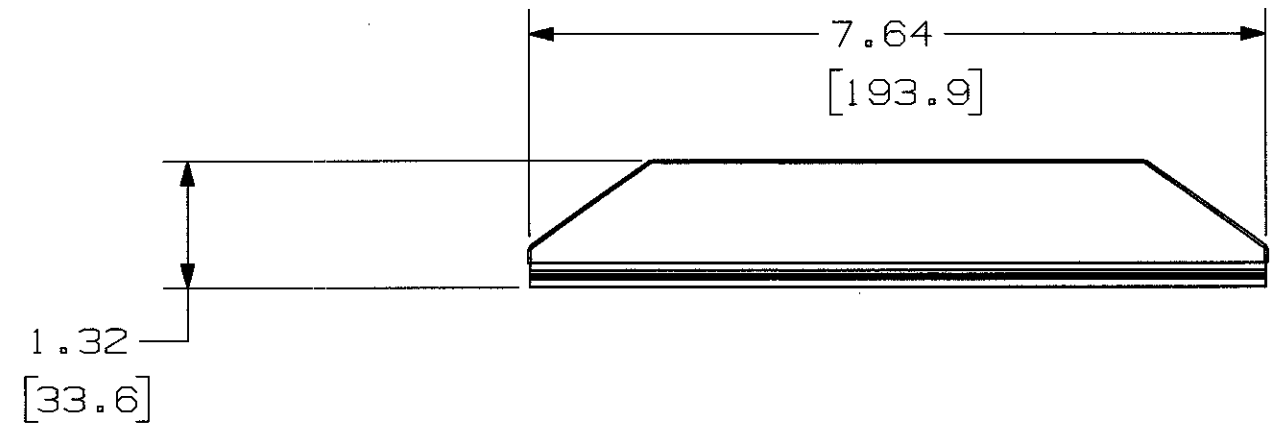


M-10607 2



OPENINGS FOR (2)
KP SERIES MOUNTING PLATES



NOTE: ALL DIMENSIONS IN INCHES AND [MM]

LIST OF PARTS

DESCRIPTION	MATERIAL	FINISH
COVER	PVC	GRAY
BASE	ALUMINUM	GRAY
SCREWS	STEEL	GALVANIZED

REV	DESCRIPTION	APP	DATE
2	REVISED ASSY COMPONENTS DCN14755 SRE	SM SRE	4/30/08
1	RELEASED PER DCN13903	SRE	4/2/07
SYM	REVISIONS	APP	DATE

THE DESIGN AND DIMENSIONS OF THE PRODUCT SHOWN ON THIS DRAWING ARE SUBJECT TO CHANGE WITHOUT NOTICE

TITLE
RAISED DEVICE BOX
ALUMINUM SERIES

TOLERANCES UNLESS OTHERWISE SPECIFIED	WIRING DEVICE-KELLEMS HUBBELL INCORPORATED BRIDGEPORT, CT	
FRACTIONS ± 1/64	DR. BY SRE	APP. BY SRE
DECIMALS ± .005	TR. BY	SCALE 1:1
ANGLES ± 2°	CHK'D BY SRE	DATE 4/2/07

DIMENSION SHEET FOR CAT. NO. HBLALU57KP2G REPAIRABLE NON-REPAIRABLE B M-10607 2