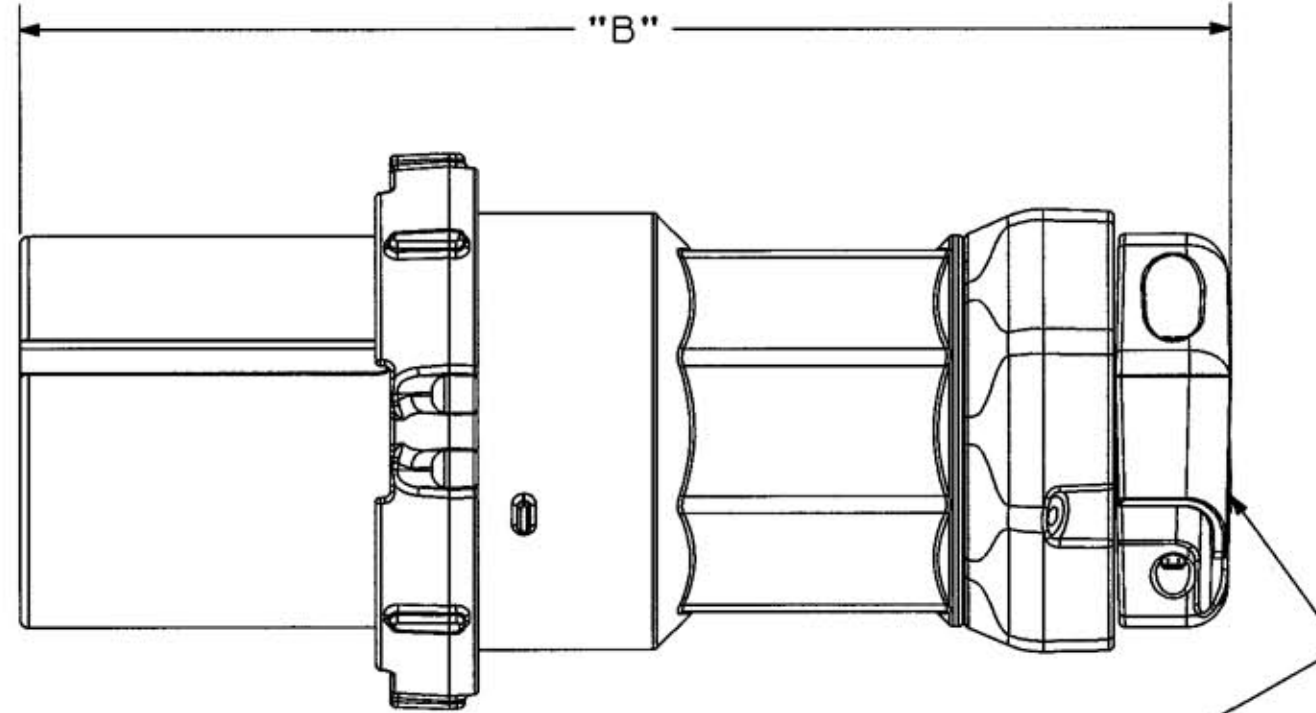
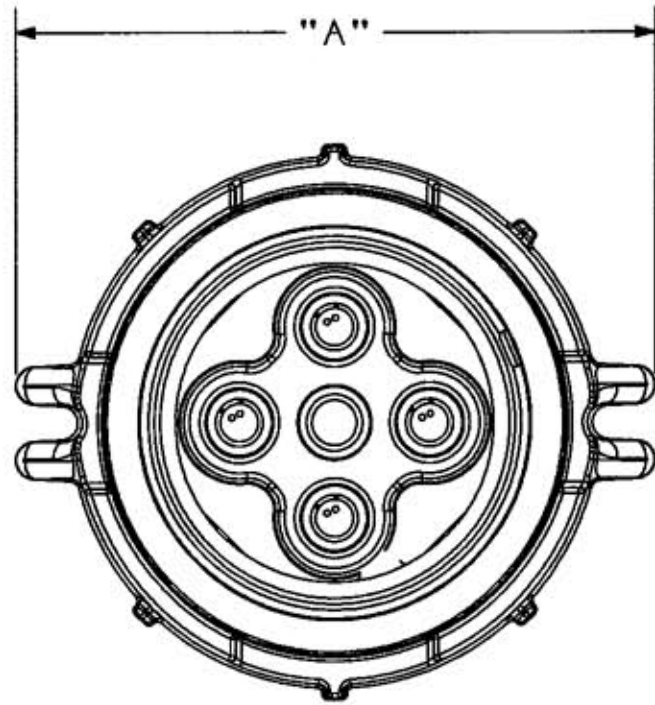


M-10833 1



CABLE DIA.
1.0 MIN
[25.4]
2.5 MAX
[63.5]

WIRE RANGE
#1 AWG-250 MCM
COPPER ONLY

NOTES: (UNLESS OTHERWISE SPECIFIED)
1) DIMENSION FORMAT IS: INCHES
[mm]

TABLE

AMPS	MAX VOLTAGE AC/DC	CONNECTOR CATALOG NUMBER	PLUG			DIM "A"		DIM "B" Ø	
			STYLE	POLE	WIRE	INS.	mm	INS.	mm
200	600/250	M5200CS1R	S1	4P	5W	11.13	282.7	6.70	170.2

LIST OF PARTS

DESCRIPTION	MATERIAL	FINISH
O-RINGS	RUBBER	
PINS	COPPER ALLOY	NICKEL PLATE
LOCK COLLAR	ALUMINUM	GRAY EPOXY
SHROUD	ALUMINUM	
SET SCREW	STAIN STEEL	
SCREWS	STAIN STEEL	
SPRING WASHER	COPPER ALLOY	
GROUND POST	BRASS	
GROUND STRAP	COPPER ALLOY	
PLUG HOUSING	ALUMINUM	YELLOW
CLAMP GUIDE	ALUMINUM	GRAY EPOXY
CLAMP	ALUMINUM	GRAY EPOXY
CLAMP INSERTS	ALUMINUM	GRAY EPOXY
ONION SKIN GROMMET	RUBBER	
INTERIOR	THERMOSET POLYESTER	
PIN SPRING	COPPER ALLOY	SILVER COATED

DIMENSION SHEET FOR CAT. NO. SEE TABLE

REPAIRABLE NON-REPAIRABLE

1	RELEASED PER DCN #14472 JMN	WUH W/H	1/31/08
SYM	REVISIONS	APP	DATE

THE DESIGN AND DIMENSIONS OF THE
PRODUCT SHOWN ON THIS DRAWING ARE
SUBJECT TO CHANGE WITHOUT NOTICE

TITLE 200A MARINE INSULGRIP
PIN & SLEEVE
REVERSE SERVICE PLUG
STYLE 1

TOLERANCES UNLESS OTHERWISE SPECIFIED FRACTIONS ±1/64 DECIMALS ±.10 ANGLES ±2°	WIRING DEVICE-KELLEMS HUBBELL INCORPORATED BRIDGEPORT, CT	
	DR. BY JMN	APP. BY WUH
	TR. BY	SCALE 1:2
	CHK'D BY WUH	DATE 1/31/08

B

M-10833

1