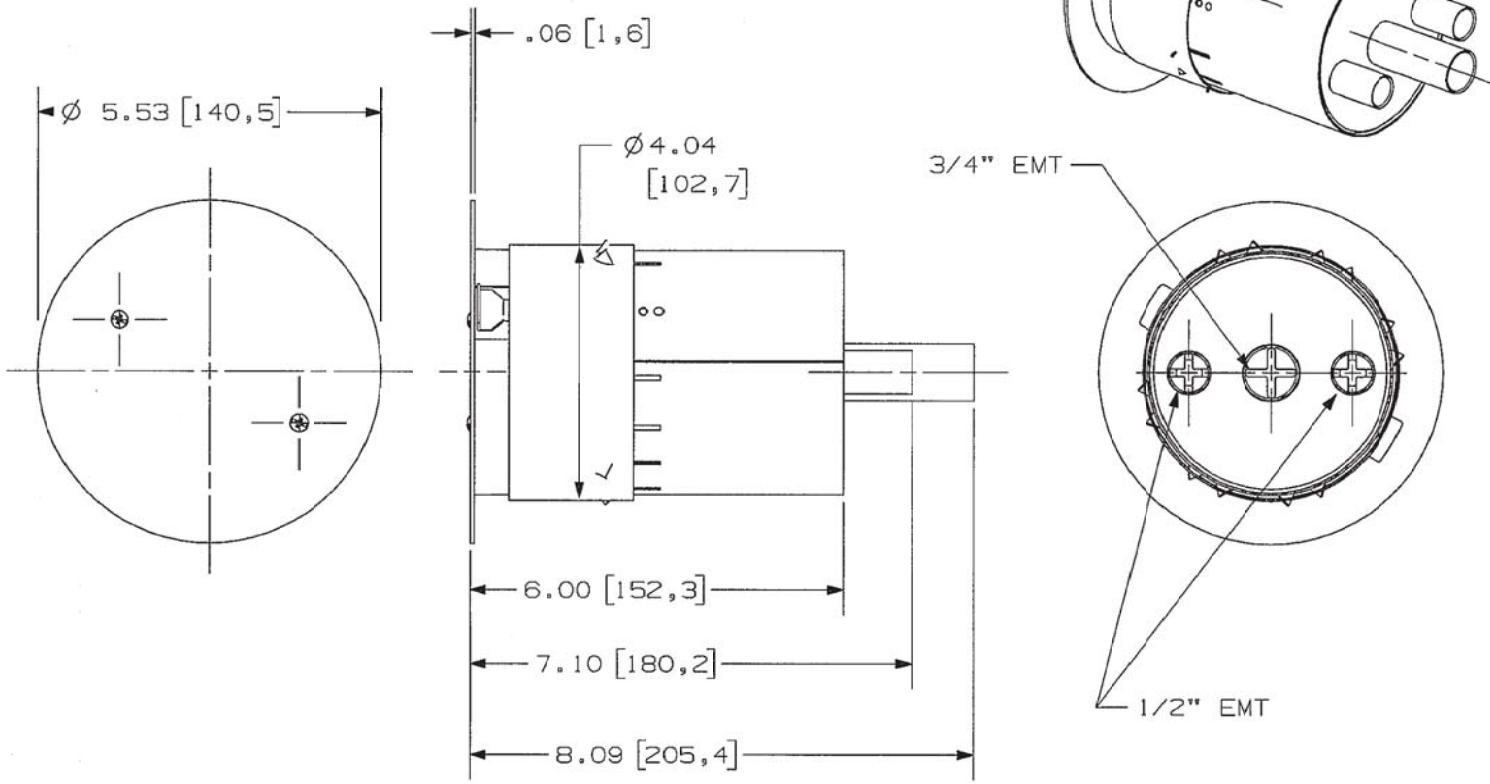
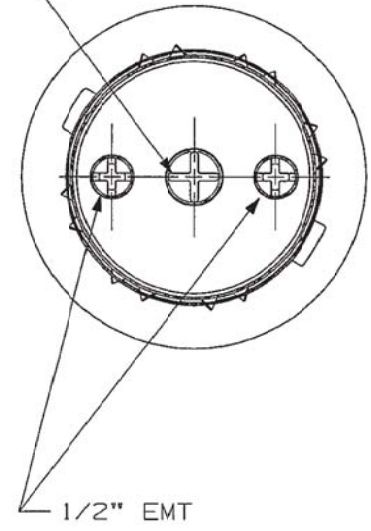
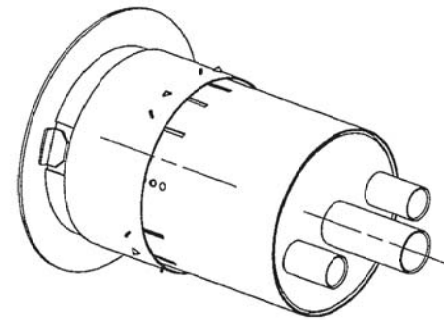


M-12338 2



NOTES:

- 1) ALL DIMENSIONS ARE IN INCHES AND [MILLIMETERS].
- 2) JUNCTION BOX SIRPTJB (NOT SHOWN) IS INCLUDED WITH FLOOR FITTING CATALOG NUMBER SIR4PTFIT. SEE DWG. M-11000 FOR DIMENSIONS OF JUNCTION BOX. JUNCTION BOX SHIPPED LOOSELY WITH UNIT.
- 3) FOR USE IN A 4.00"- 4.12" [10,2-10,5 cm] DIAMETER HOLE. MINIMUM THICKNESS OF CONCRETE 2.25" [5,7 cm].



LIST OF PARTS

DESCRIPTION	MATERIAL	FINISH
CAN WELDMENT	STEEL	ZINC PLATE
INSTALLATION PLATE	STEEL	ZINC PLATE
SUB-PLATE MTG. PLATE	STEEL	ZINC PLATE
STANDOFFS	STNLS. STEEL	NONE
FIRE BARRIER, UPPER	FIRE BAR. MATL.	NATURAL
FIRE BARRIER, LOWER	FIRE BAR. MATL.	NATURAL
SPACER	FIRE BAR. MATL.	BLACK
DIVIDERS	STEEL	ZINC PLATE
WASHERS	FIBER	RED
MOUNTING SCREWS	STEEL	ZINC PLATE
TAPE	PLASTIC	YELL./BLK.
BOTTOM COVER	STEEL	ZINC PLATE

2	DIM .06 [1,6] WAS .16 [4,0] DCN20139 AD	AD	11/14/13
1	RELEASED PER DCN19806		5/1/13
SYM	REVISIONS	APP	DATE

THE DESIGN AND DIMENSIONS OF THE PRODUCT SHOWN ON THIS DRAWING ARE SUBJECT TO CHANGE WITHOUT NOTICE

TITLE
SERVICE FITTING,
FIRE RATED POKE THROUGH,
4 INCH DIAMETER

TOLERANCES UNLESS OTHERWISE SPECIFIED .XX = ±.01 .XXX = ±.005 ANGLES = ±2°	WIRING DEVICE-KELLEMS HUBBELL INCORPORATED SHELTON, CT	
	DR. BY SRE	APP. BY AD
	TR. BY	SCALE 1:2
	CHK. BY	DATE 9/11/12