

CATALOG NUMBER	BOTTOM FEED CAT. NO.	BOTTOM FEED CONDUIT SIZES
S1R8PTFIT1	S1R8JNC1	1" & 1-1/2 EMT
S1R8PTFIT2	S1R8JNC2	(2) 1" EMT
S1R8PTFIT3	S1R8JNC3	2" EMT

- NOTES:
- 1) ALL DIMENSIONS ARE IN INCHES AND [MILLIMETERS]
  - 2) ALL DIMENSIONS ARE COMMON TO ALL CATALOG NUMBERS. BOTTOM FEED BOXES VARY AS SPECIFIED.
  3. ALL UNITS ARE SHIPPED WITH JUNCTION BOX SUB-ASSY (S1R8JNCBOX) SHIPPED LOOSELY. SEE M-11989 FOR DIMENSIONS.

LIST OF PARTS		
DESCRIPTION	MATERIAL	FINISH
CAN WELDMENT	STEEL	ZINC PLATE
INSTALLATION PLATE	STEEL	ZINC PLATE
SUB-PLATE MTG. PLATE	STEEL	WHITE PAINT
STANDOFFS	STNLS. STL.	--
FIRE BARRIER, UPPER	FIRE BAR. MATL.	NATURAL
FIRE BARRIER, LOWER	FIRE BAR. MATL.	NATURAL
WASHERS	FIBER	RED
MOUNTING SCREWS	STEEL	ZINC PLATE
DIVIDERS	STEEL	ZINC PLATE
SPACER	FIRE BAR. MATL.	BLACK
TAPE	PLASTIC	YELL./BLK.

NO.	DESCRIPTION	APP.	DATE
5	ADDED SHEET 2 PER DCN23387	AD	10/18/17
4	IN PARTS LIST- FOR STANDOFF "FINISH" -- WAS ZINC PLATE PER DCN 21112. MYA	PJB	4/8/15
3	UPDATED IMAGES DCN20245		12/13/13
2	UPDATED IMAGES DCN18755		4/13/12
1	RELEASED PER DCN18435		12/14/11

SYM	REVISIONS	APP	DATE

THE DESIGN AND DIMENSIONS OF THE PRODUCT SHOWN ON THIS DRAWING ARE SUBJECT TO CHANGE WITHOUT NOTICE

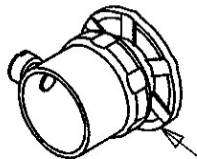
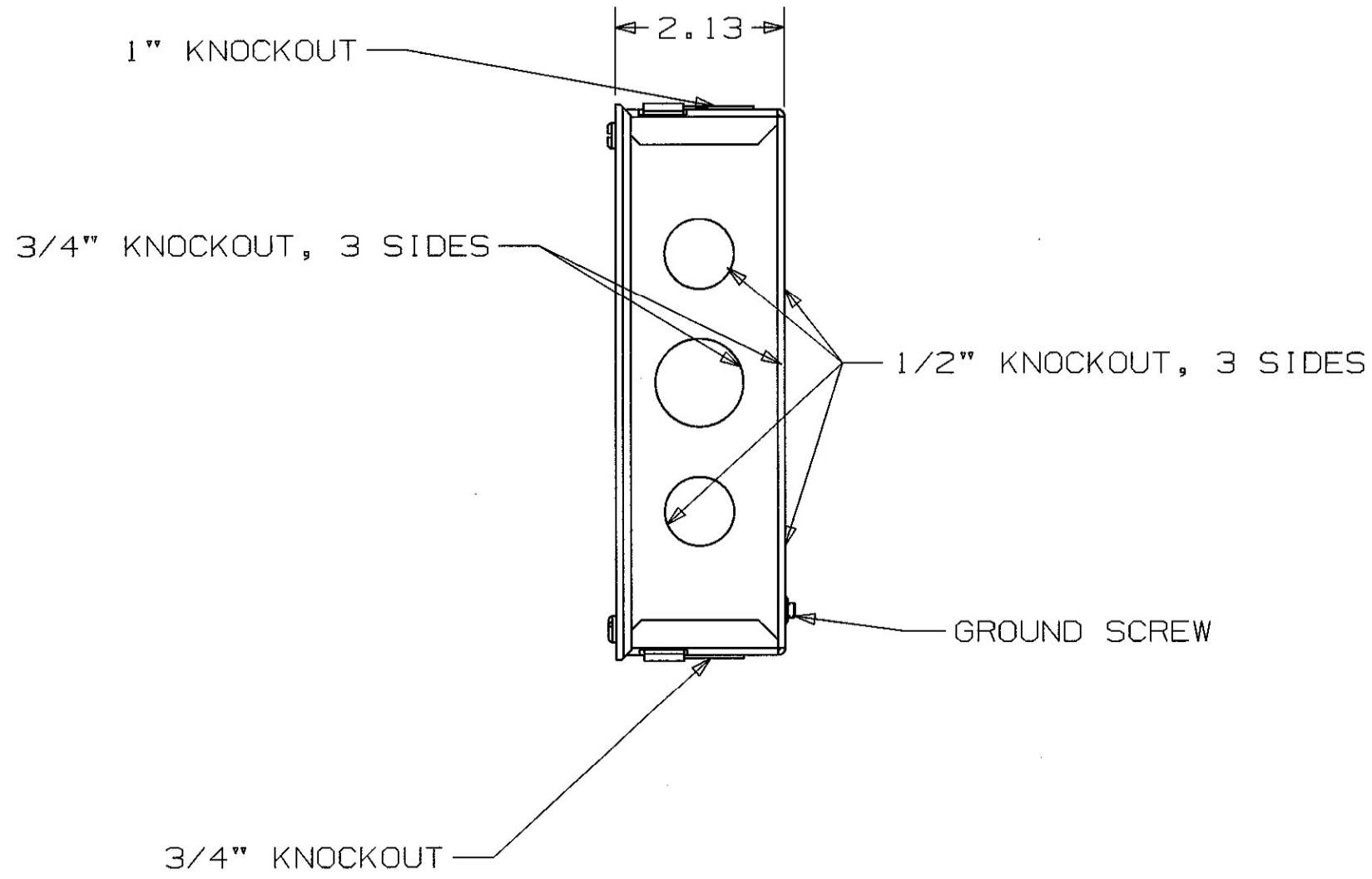
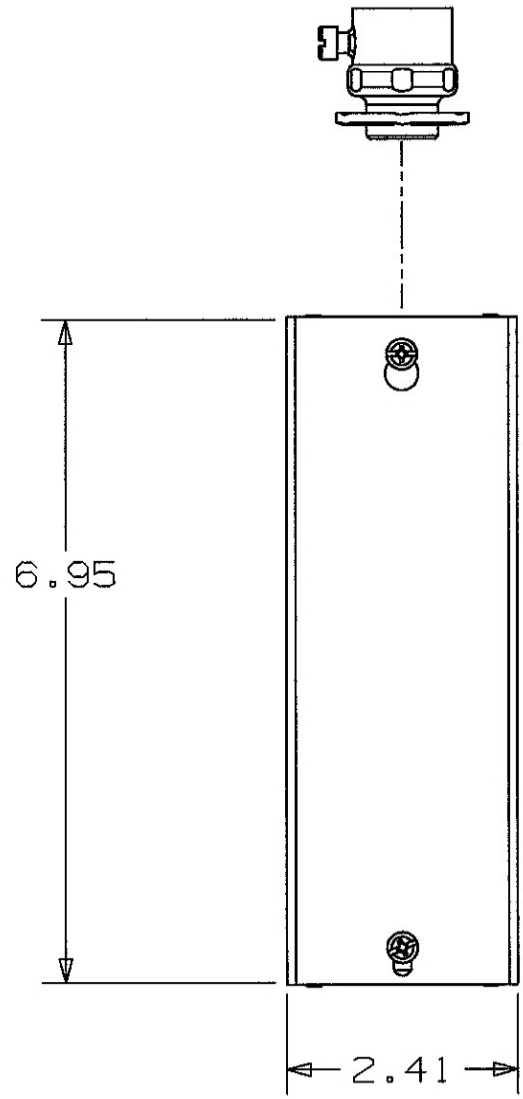
TITLE SERVICE FITTING, FIRE RATED POKE THROUGH, 8 INCH DIAMETER

TOLERANCES UNLESS OTHERWISE SPECIFIED .XX = ±.01 .XXX = ±.005 ANGLES = ±2°	WIRING DEVICE-KELLEMS HUBBELL INCORPORATED SHELTON, CT	
	DR. BY SRE	APP. BY
	TR. BY	SCALE 1:2
	CHK. BY	DATE 6/10/11

DIMENSION SHEET FOR CAT. NO. M-11921  
 REPAIRABLE  NON-REPAIRABLE



M-11000 2



(1) 3/4" AND (1) 1" CONDUIT SUPPLIED LOOSE INSIDE JUNCTION BOX

- NOTES:  
 1. BOX VOLUME: 27 IN<sup>3</sup> / 442 CM<sup>3</sup>  
 2. PART IS UL/CUL LISTED

CODE 74545

LIST OF PARTS

DESCRIPTION	MATERIAL	FINISH
JUNCTION BOX COVER	STEEL	GALVANIZE
JUNCTION BOX	STEEL	GALVANIZE
#8 PAN HEAD SCREW	STEEL	ZINC
#10 GROUND SCREW	STEEL	GREEN FINISH
1" CONDUIT ADAPTOR	STEEL	ZINC
3/4" CONDUIT ADAPTOR	STEEL	ZINC

DIMENSION SHEET FOR CAT. NO.

SIFRPT JB

REPAIRABLE

NON-REPAIRABLE

B

M-11000

2

2	UPDATED KNOCKOUT DETAILS PER DCN 14930	SM	6/26/08
1	RELEASED PER DCN 14521		3/26/08
SYM	REVISIONS	APP	DATE

THE DESIGN AND DIMENSIONS OF THE PRODUCT SHOWN ON THIS DRAWING ARE SUBJECT TO CHANGE WITHOUT NOTICE

TITLE JUNCTION BOX ASSY SYSTEM ONE

TOLERANCES UNLESS OTHERWISE SPECIFIED FRACTIONS ±1/64 DECIMALS ±.005 ANGLES ±2°	WIRING DEVICE-KELLEMS HUBBELL INCORPORATED BRIDGEPORT, CT	
	DR. BY MSS	APP. BY SM
	TR. BY	SCALE 1:1
	CHK'D BY	DATE 3/26/08