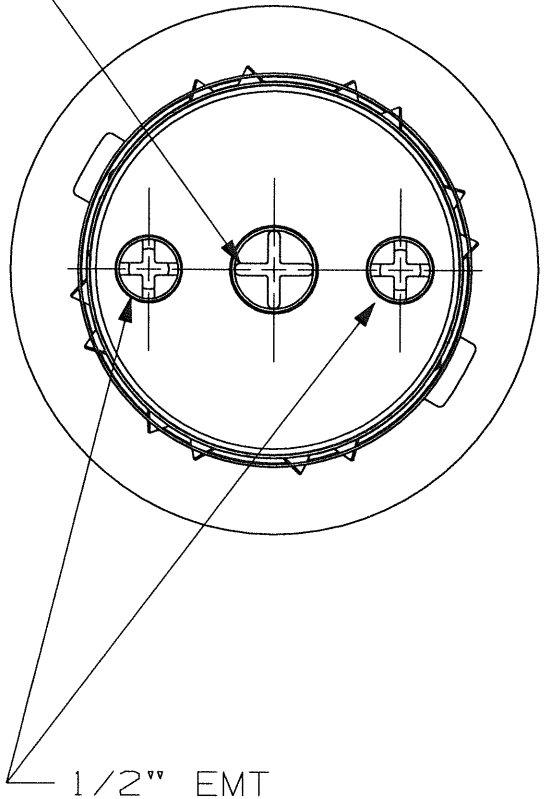
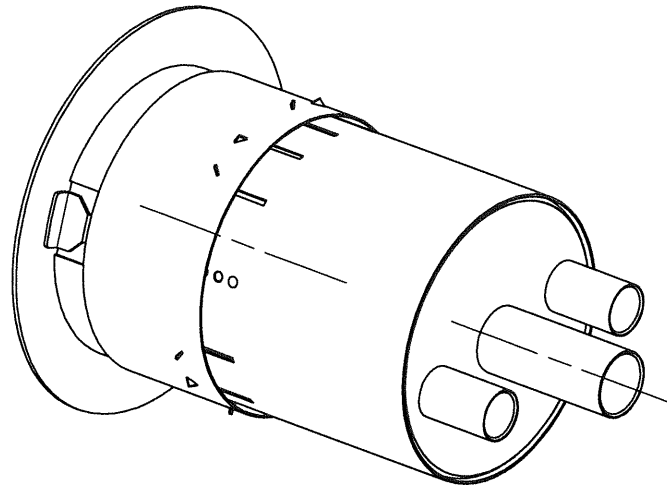
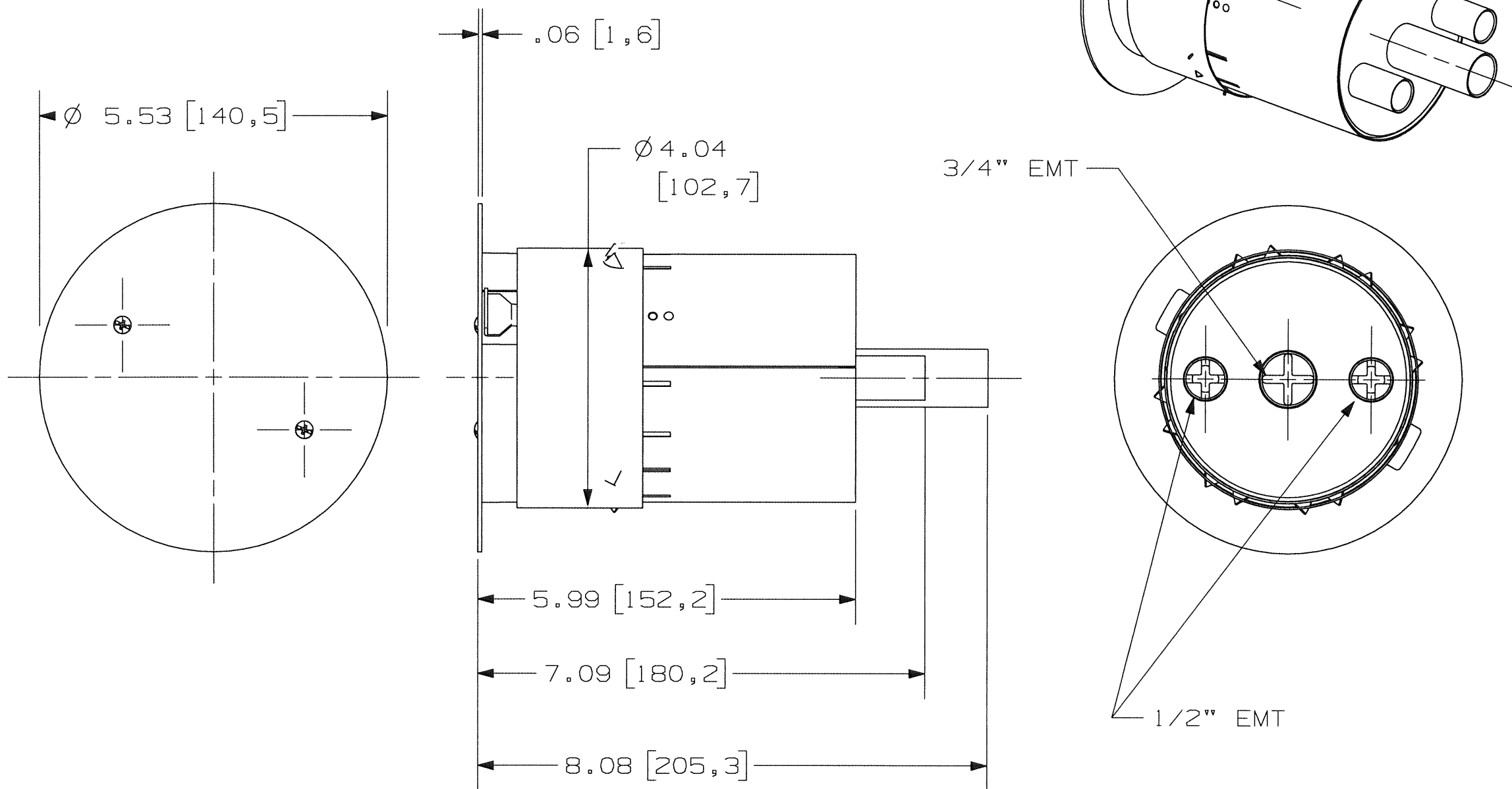


M-12338 3



- NOTES:
- 1) ALL DIMENSIONS ARE IN INCHES AND [MILLIMETERS].
 - 2) JUNCTION BOX S1FRPTJB (NOT SHOWN) IS INCLUDED WITH FLOOR FITTING CATALOG NUMBER S1R4PTFIT. SEE DWG. M-11000 FOR DIMENSIONS OF JUNCTION BOX. JUNCTION BOX SHIPPED LOOSELY WITH UNIT.
 - 3) FOR USE IN A 4.00" - 4.12" [10,2-10,5 cm] DIAMETER HOLE. MINIMUM THICKNESS OF CONCRETE 2.25" [5,7 cm].

LIST OF PARTS

DESCRIPTION	MATERIAL	FINISH
CAN WELDMENT	STEEL	ZINC PLATE
INSTALLATION PLATE	STEEL	ZINC PLATE
SUB-PLATE MTG. PLATE	STEEL	ZINC PLATE
STANDOFFS	STNLS. STEEL	NONE
FIRE BARRIER, UPPER	FIRE BAR. MATL.	NATURAL
FIRE BARRIER, LOWER	FIRE BAR. MATL.	NATURAL
SPACER	FIRE BAR. MATL.	BLACK
DIVIDERS	STEEL	ZINC PLATE
WASHERS	FIBER	RED
MOUNTING SCREWS	STEEL	ZINC PLATE
TAPE	PLASTIC	YELL./BLK.
BOTTOM COVER	STEEL	ZINC PLATE

SYM	REVISIONS	APP	DATE
3	ADDED SHEET 2 PER DCN23387	AD	10/18/17
2	DIM .06 [1,6] WAS .16 [4,0] DCN20139 AD		11/14/13
1	RELEASED PER DCN19806		5/1/13

THE DESIGN AND DIMENSIONS OF THE PRODUCT SHOWN ON THIS DRAWING ARE SUBJECT TO CHANGE WITHOUT NOTICE	
TITLE	
SERVICE FITTING, FIRE RATED POKE THROUGH, 4 INCH DIAMETER	

TOLERANCES UNLESS OTHERWISE SPECIFIED	WIRING DEVICE-KELLEMS HUBBELL INCORPORATED SHELTON, CT	
.XX = ±.01	DR. BY SRE	APP. BY
.XXX = ±.005	TR. BY	SCALE 1:2
ANGLES = ±2°	CHK. BY	DATE 9/11/12

DIMENSION SHEET FOR CAT. NO. S1R4PTFIT
 REPAIRABLE NON-REPAIRABLE B M-12338 3

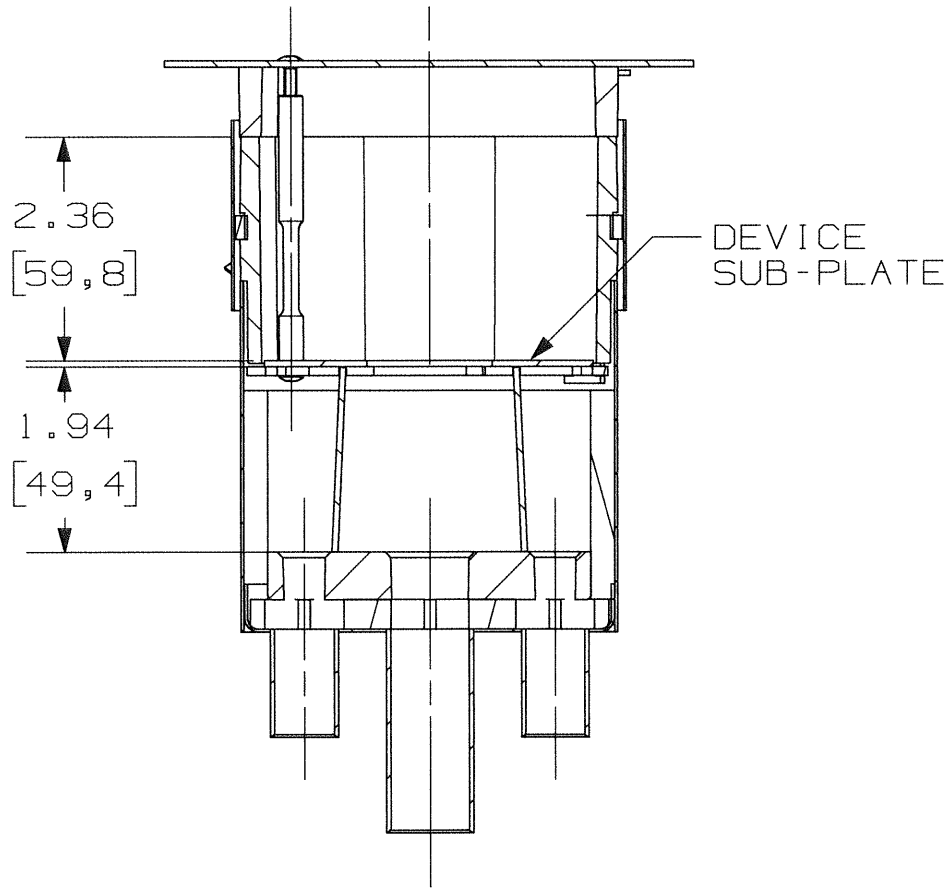
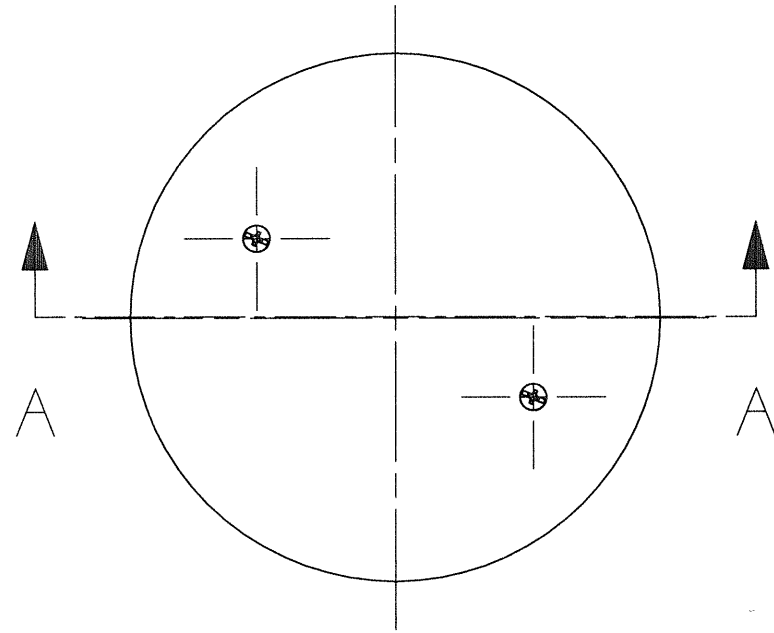
M- 12338 3

LIST OF PARTS

DESCRIPTION	MATERIAL	FINISH

DIMENSION SHEET FOR CAT. NO. SIR4PTFIT

REPAIRABLE NON-REPAIRABLE



SECTION A - A

3	ADDED THIS SHEET PER DCN23387	AD	10/18/17
SYM	REVISIONS	APP	DATE

THE DESIGN AND DIMENSIONS OF THE PRODUCT SHOWN ON THIS DRAWING ARE SUBJECT TO CHANGE WITHOUT NOTICE

TITLE SERVICE FITTING, FIRE RATED POKE THROUGH, 4 INCH DIAMETER

TOLERANCES UNLESS OTHERWISE SPECIFIED .XX = ±.01 .XXX = ±.005 ANGLES = ±2°	WIRING DEVICE-KELLEMS HUBBELL INCORPORATED SHELTON, CT	
	DR. BY AD APP. BY	SCALE 1:2
	TR. BY	DATE 9/11/12
	CHK. BY	

B M-12338 3

LIST OF PARTS

DESCRIPTION	MATERIAL	FINISH
COVER PLATE	STEEL	WHITE
RECEPTACLE	THERMOPLASTIC	BLACK
CONTACTS	COPPER ALLOY	NONE
FASTENERS	STEEL	ZINC
BRACKET	STEEL	ZINC
MOUNTING SCREWS	STEEL	WHITE

DIMENSION SHEET FOR CAT. NO.

SEE TABLE

REPAIRABLE

NON-REPAIRABLE

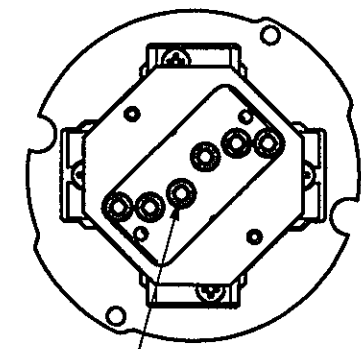
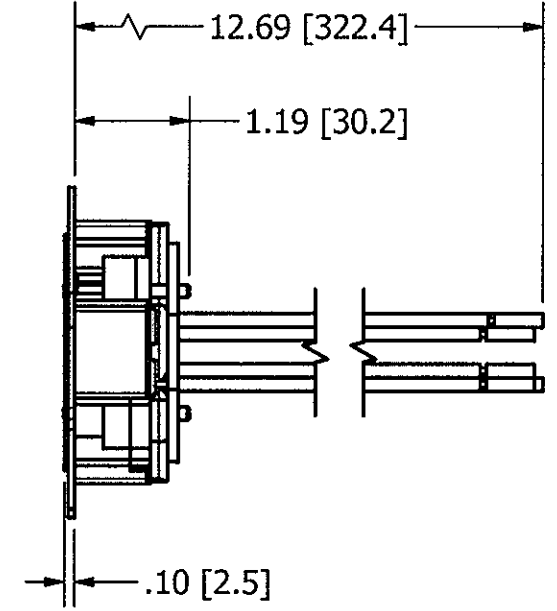
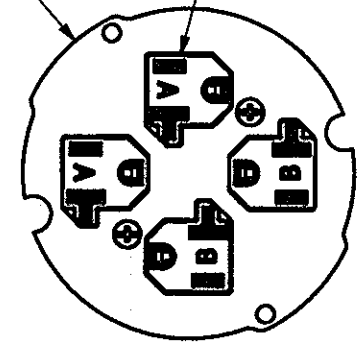
B

M-12340

3

(4) 20A 125V RECEPTACLES PER NEMA 5-20R TWO CIRCUITS, MARKED A & B

Ø3.63 [92.1]



S1R4SPQUAD SHOWN

(6) #14 AWG WIRES, TWO CIRCUITS
 A CIRCUIT: BLACK, WHITE, GREEN
 B CIRCUIT: RED, GRAY, GREEN/YELLOW

- NOTES:
- ALL DIMENSIONS ARE IN INCHES AND [MILLIMETERS].
 - PRODUCT IS cULus LISTED.
 - MOUNTING HARDWARE INCLUDE
 - SEE INSTALLATION INSTRUCTIONS FOR APPLYING CONTROLLED STICKER.

CATALOG NUMBER	RECEPTACLE MARKING
S1R4SQUAD	---
S1R4SPQUADC	CONTROLLED (STICKER)

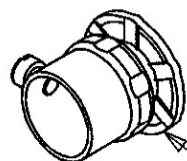
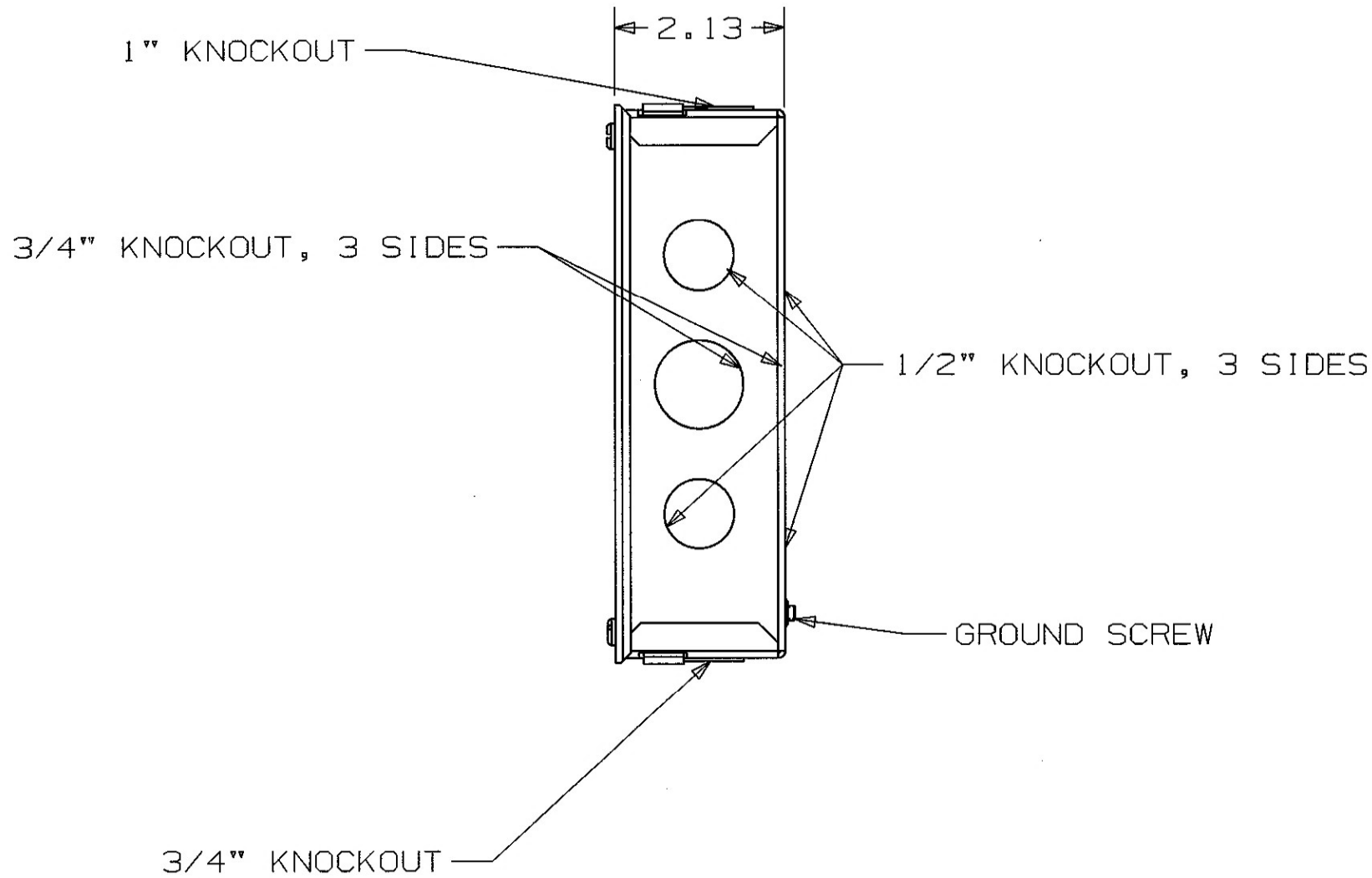
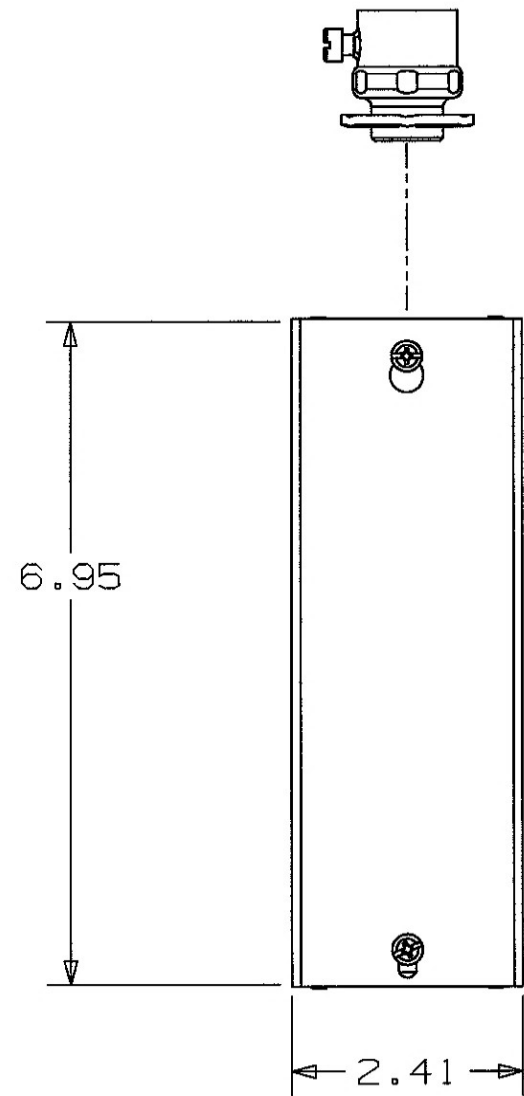
3	ADDED TABLE, ADDED NOTE 4, ADDED BASE CATALOG NUMBER SHOWN PER DCN 21884 MYA	DJP	3/16/2016
2	REDRAWN PER DCN 21283	SBW	6/16/2015
SYM	DESCRIPTION	APP	DATE

THE DESIGN AND DIMENSIONS OF THE PRODUCT SHOWN ON THIS DRAWING ARE SUBJECT TO CHANGE WITHOUT NOTICE

TITLE
 RECEPTACLE / COVER ASSEMBLY
 4 INCH RECESSED FRPT & FLOOR BOXES

TOLERANCES UNLESS OTHERWISE SPECIFIED	WIRING DEVICE-KELLEMS HUBBELL INCORPORATED SHELTON, CT.		
.XX = ± .01	DR. BY	SBW	APP. BY
.XXX = ± .005	TR. BY		SCALE 1/2
ANGLES = ± 2°	CHK'D BY		DATE 6/10/2015

M-11000 2



(1) 3/4" AND (1) 1" CONDUIT SUPPLIED LOOSE INSIDE JUNCTION BOX

NOTES:

- 1. BOX VOLUME: 27 IN³ / 442 CM³
- 2. PART IS UL/CUL LISTED

CODE 74545

LIST OF PARTS

DESCRIPTION	MATERIAL	FINISH
JUNCTION BOX COVER	STEEL	GALVANIZE
JUNCTION BOX	STEEL	GALVANIZE
#8 PAN HEAD SCREW	STEEL	ZINC
#10 GROUND SCREW	STEEL	GREEN FINISH
1" CONDUIT ADAPTOR	STEEL	ZINC
3/4" CONDUIT ADAPTOR	STEEL	ZINC

DIMENSION SHEET FOR CAT. NO.

SIFRPT JB

REPAIRABLE

NON-REPAIRABLE

B

M-11000

2

2	UPDATED KNOCKOUT DETAILS PER DCN 14930	SM	6/26/08
1	RELEASED PER DCN 14521		3/26/08
SYM	REVISIONS	APP	DATE

THE DESIGN AND DIMENSIONS OF THE PRODUCT SHOWN ON THIS DRAWING ARE SUBJECT TO CHANGE WITHOUT NOTICE

TITLE JUNCTION BOX ASSY SYSTEM ONE

TOLERANCES UNLESS OTHERWISE SPECIFIED FRACTIONS ± 1/64 DECIMALS ± .005 ANGLES ± 2°	WIRING DEVICE-KELLEMS HUBBELL INCORPORATED BRIDGEPORT, CT	
	DR. BY MSS	APP. BY SM
	TR. BY	SCALE 1:1
	CHK'D BY	DATE 3/26/08