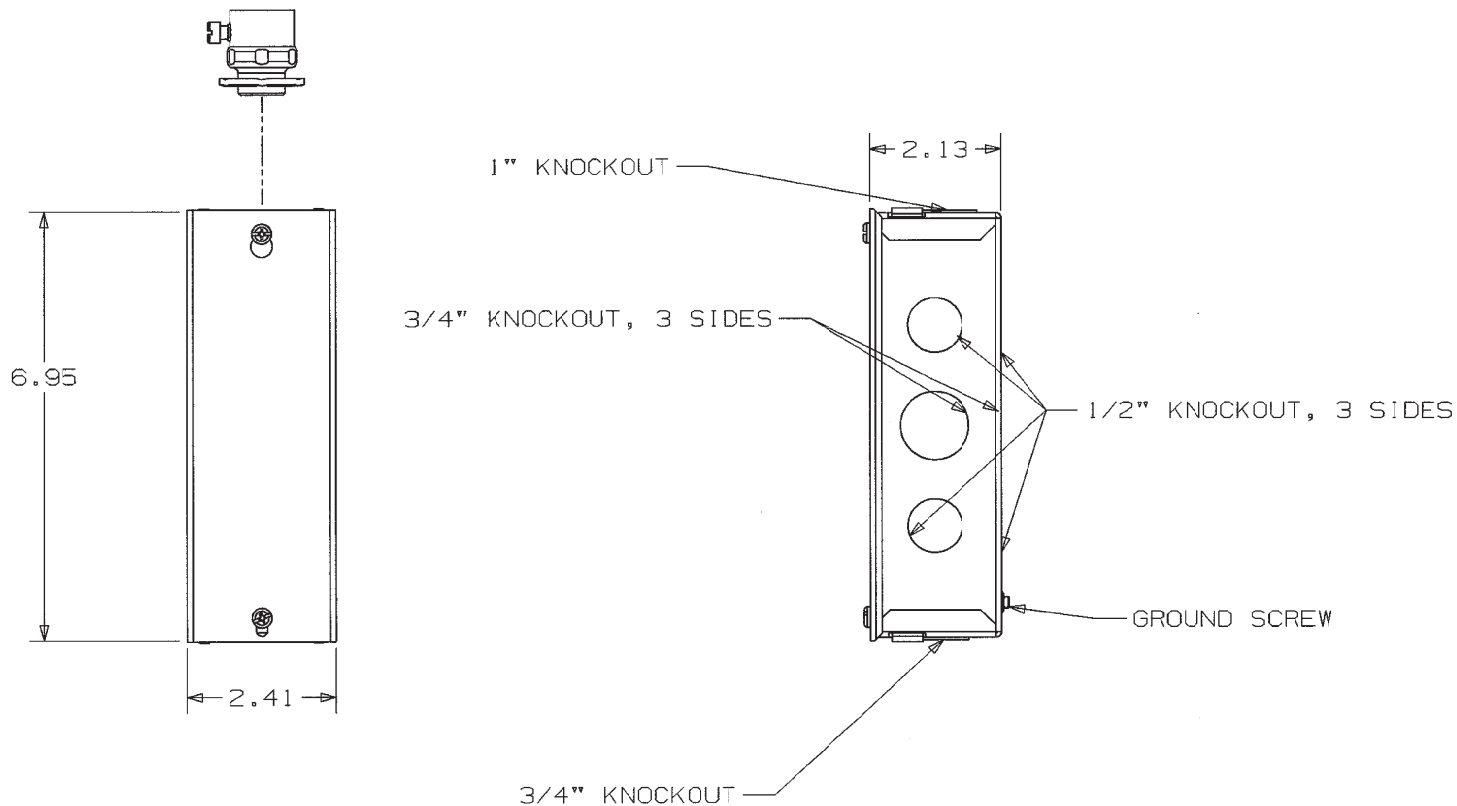
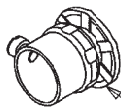


M-11000 2



NOTES:

1. BOX VOLUME: 27 IN³/442 CM³
2. PART IS UL/CUL LISTED



(1) 3/4" AND (1) 1" CONDUIT SUPPLIED LOOSE INSIDE JUNCTION BOX

LIST OF PARTS

| DESCRIPTION | MATERIAL | FINISH |
|----------------------|----------|--------------|
| JUNCTION BOX COVER | STEEL | GALVANIZE |
| JUNCTION BOX | STEEL | GALVANIZE |
| #8 PAN HEAD SCREW | STEEL | ZINC |
| #10 GROUND SCREW | STEEL | GREEN FINISH |
| 1" CONDUIT ADAPTOR | STEEL | ZINC |
| 3/4" CONDUIT ADAPTOR | STEEL | ZINC |
| | | |
| | | |
| | | |
| | | |
| | | |
| | | |
| | | |
| | | |

| SYM | REVISIONS | APP | DATE |
|-----|--|-----|---------|
| 2 | UPDATED KNOCKOUT DETAILS PER DCN 14930 | SM | 3/26/08 |
| 1 | RELEASED PER DCN 14521 | | 3/26/08 |

THE DESIGN AND DIMENSIONS OF THE PRODUCT SHOWN ON THIS DRAWING ARE SUBJECT TO CHANGE WITHOUT NOTICE

TITLE JUNCTION BOX ASSY SYSTEM ONE

| | | |
|---|---|--------------|
| TOLERANCES UNLESS OTHERWISE SPECIFIED FRACTIONS ± 1/64 DECIMALS ± .005 ANGLES ± 2° | WIRING DEVICE-KELLEMS HUBBELL INCORPORATED BRIDGEPORT, CT | |
| | DF. BY MSS | APP. BY SM |
| | TF. BY | SCALE 1:1 |
| | CHK'D BY | DATE 3/26/08 |

DIMENSION SHEET FOR CAT. NO. SIFRPTJB REPAIRABLE NON-REPAIRABLE B M-11000 2