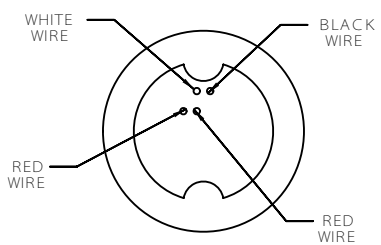
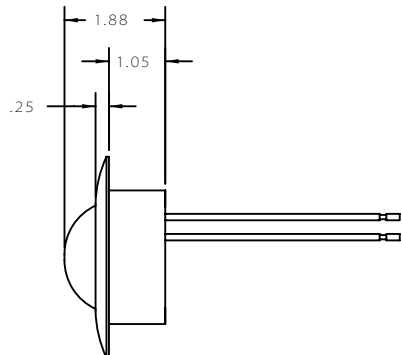
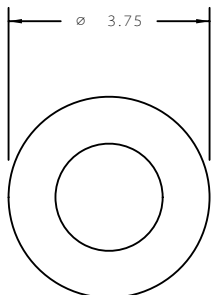


M - 11072 1



COLOR: WHITE
WEIGHT: 14.63 OZ.

LIST OF PARTS

DESCRIPTION	MATERIAL	FINISH
HOUSING	ABS	WHITE
LENS	POLYETHYLENE	

DIMENSION SHEET FOR CAT. NO. LVPRI500R, LVPRI500RP

REPAIRABLE NON-REPAIRABLE

B

M - 11072

1

1	RELEASED PER DCN 14955 RCM	SL	6/26/08
SYM	REVISIONS	APP	DATE

THE DESIGN AND DIMENSIONS OF THE PRODUCT SHOWN ON THIS DRAWING ARE SUBJECT TO CHANGE WITHOUT NOTICE

TITLE
PIR CEILING SENSOR

TOLERANCES UNLESS OTHERWISE SPECIFIED FRACTIONS ±1/64 DECIMALS ±.005 ANGLES ±2°	WIRING DEVICE - KELLEMS HUBBELL INCORPORATED BRIDGEPORT, CT	
	DR. BY RCM	APP. BY SL
	TR. BY	SCALE 1:2
	CHK'D BY SL	DATE 6/26/08