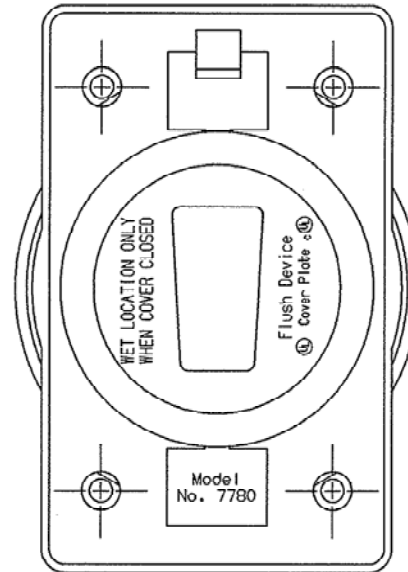
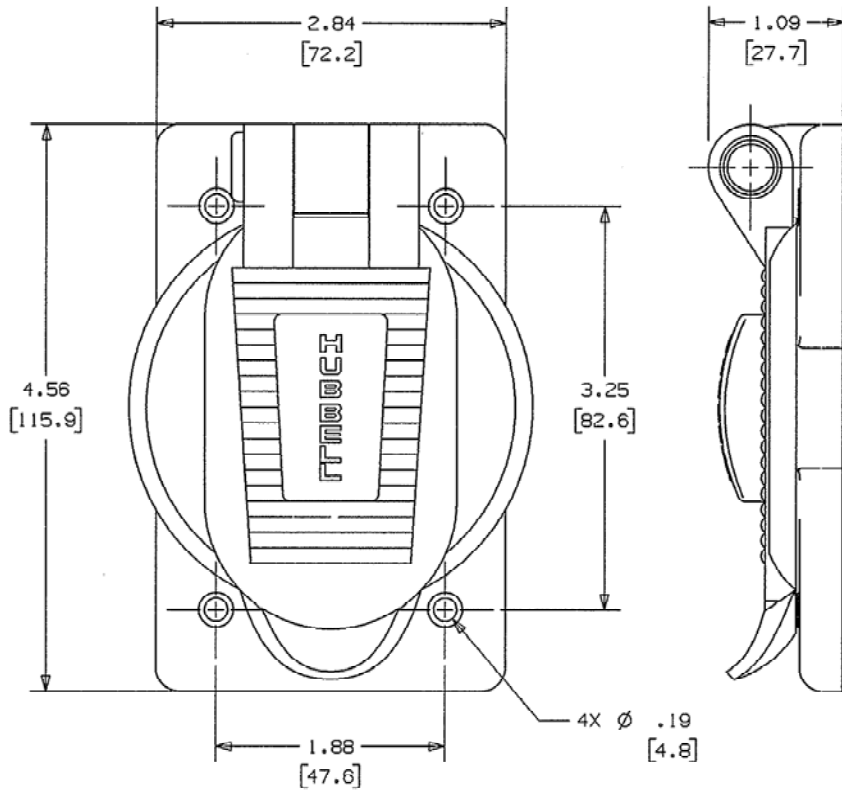


M-11189 1



- NOTES: UNLESS OTHERWISE SPECIFIED
1. 7780 STYLE LIFT COVER.
  2. SUITABLE FOR WET LOCATIONS ONLY WHEN COVER CLOSED & DAMP LOCATIONS.
  3. ALL DIMENSIONS ARE IN INCHES (mm)
  4. ALL TOLERANCES TO BE  $\pm .03$  [.8]

CODE 74545

LIST OF PARTS

DESCRIPTION	MATERIAL	FINISH
COVER	POLYCARBONATE	BLACK
FLAP	POLYCARBONATE	BLACK
COVER & FLAP GASKETS	POLYETHYLENE FOAM	GRAY
SPRING	ST. STEEL	
HINGE	ST. STEEL	
MTG SCREWS (4)	ST. STEEL	

1	RELEASED PER DCN 15290 RCM	CJC	1/3/09
SYM	REVISIONS	APP	DATE

THE DESIGN AND DIMENSIONS OF THE PRODUCT SHOWN ON THIS DRAWING ARE SUBJECT TO CHANGE WITHOUT NOTICE

TITLE  
 WEATHERPROOF LIFT COVER  
 PLATE FOR 50A NON-METALLIC  
 FLANGED INLETS

TOLERANCES UNLESS OTHERWISE SPECIFIED	WIRING DEVICE-KELLEMS HUBBELL INCORPORATED BRIDGEPORT, CT	
DR. BY RCM	APP. BY CJC	
TR. BY	SCALE 1:1	
CHK'D BY C.JC	DATE 1/3/09	

DIMENSION SHEET FOR CAT. NO. HBL 7780  
 REPAIRABLE  NON-REPAIRABLE  B  
 M-11189  
 1