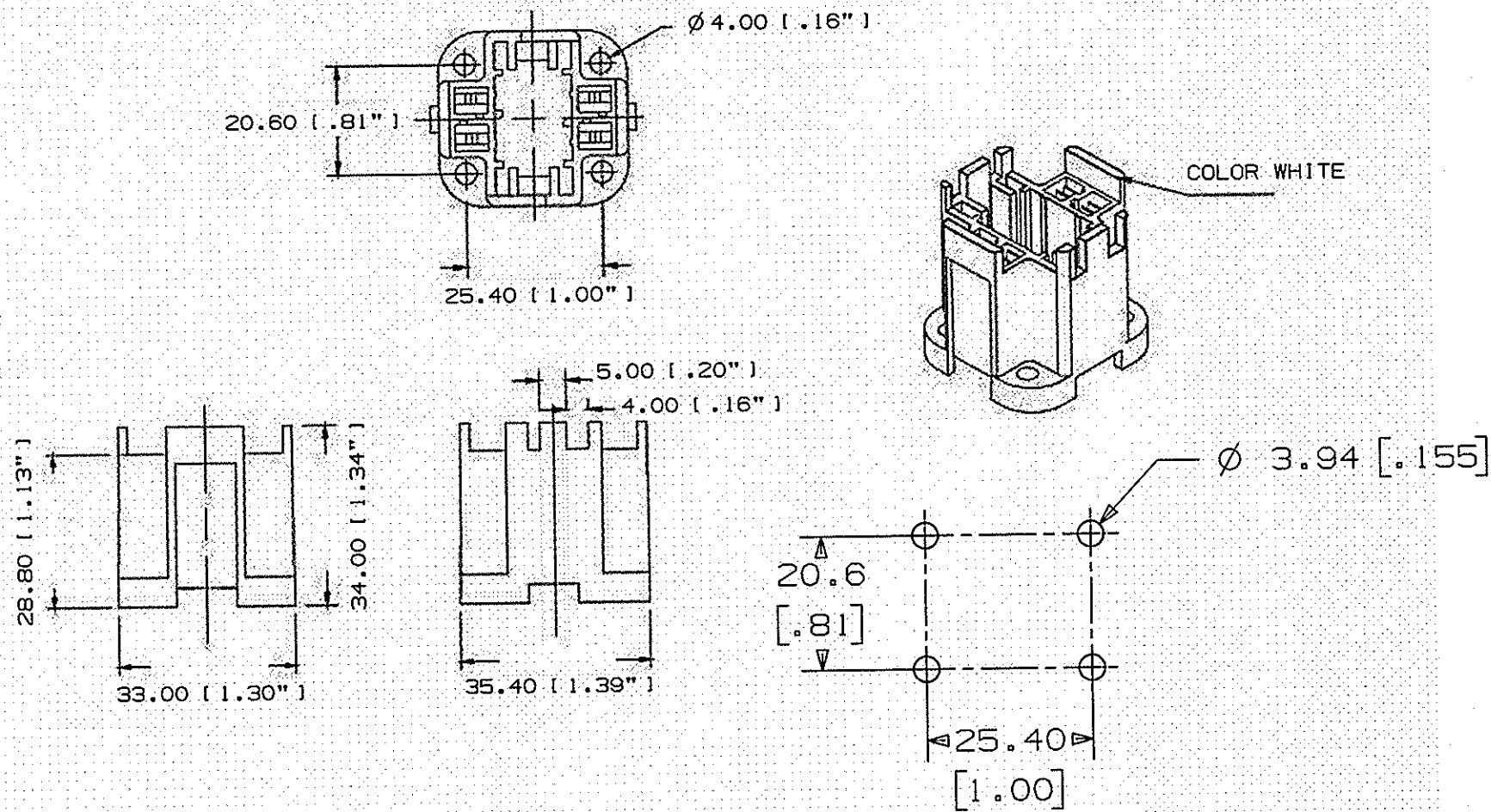


M11275 1



PANEL CUTOUT SCALE 1:1

NOTES:

1. DIMENSIONS ARE mm [ INCHES ]
2. HIGH STRENGTH POLYCARBONATE BODY.
3. QUICK CONNECT PUSH-IN WIRE TERMINALS FOR 18 AWG SOLID OR TWIST & TIN STRIPPED 7/16". MAXIMUM 6.5 LBS. CONDUCTOR INSERTION FORCE.
4. EACH WIRING PORTS ACCEPTS 2 WIRES FOR EASY HARNESS WIRING. FOUR HOLES ON BASE FOR SECURE MOUNTING.
5. cUL US LISTED; cCSA US APPROVED.
6. RATED 75W MAX., 600V MAX.
7. PACKAGING: SEALED IN POLYBAG.

LIST OF PARTS

DESCRIPTION	MATERIAL	FINISH
BASE	PC	WHITE

SYM	REVISIONS	APP	DATE
1	12/01/09 RELEASE TO PRODUCTION PER DCN 16198	CAC DLI	

THE DESIGN AND DIMENSIONS OF THE PRODUCT SHOWN ON THIS DRAWING ARE SUBJECT TO CHANGE WITHOUT NOTICE

TITLE COMPACT FLUORESCENT LAMPHOLDER, 26-32W, G24, HORZ SCREW MNT

TOLERANCES UNLESS OTHERWISE SPECIFIED FRACTIONS ± 1/64 DECIMALS ± .005 ANGLES ± 2°	WIRING DEVICE-KELLEMS HUBBELL INCORPORATED BRIDGEPORT, CT	
	DR. BY DLI	APP. BY CAC
	TR. BY	SCALE NONE
	CHK'D BY	DATE 04/01/09

DIMENSION SHEET FOR CAT. NO. RL426G24 REPAIRABLE  NON-REPAIRABLE  B M11275 1