

M11276 | 1

LIST OF PARTS

DESCRIPTION	MATERIAL	FINISH
BODY	PBT	WHITE

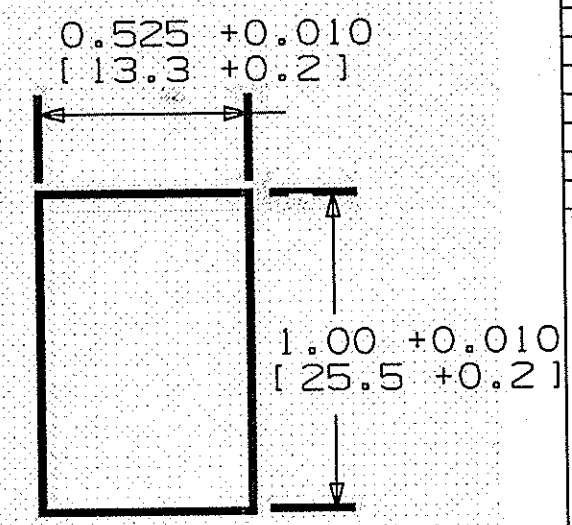
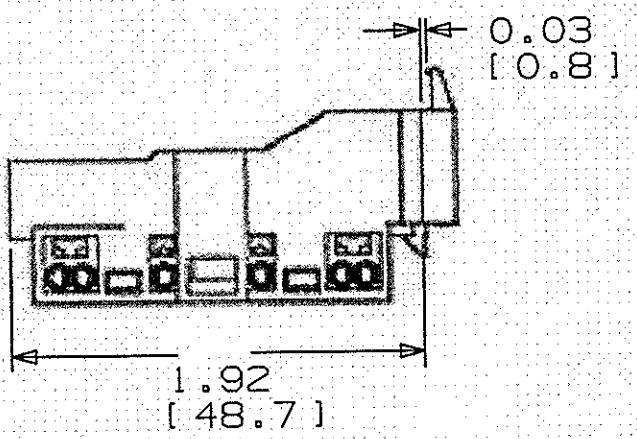
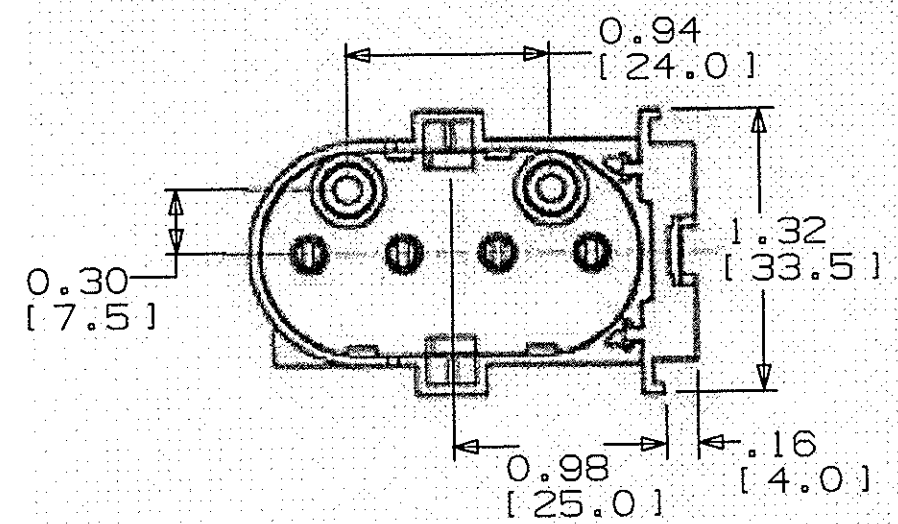
DIMENSION SHEET FOR CAT. NO.

RL42G11H9 REPAIRABLE  NON-REPAIRABLE

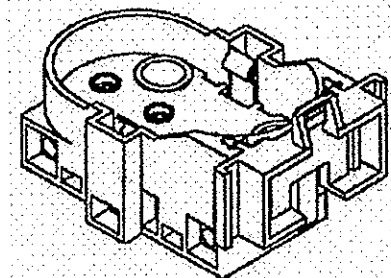
B

M11276

1



PANEL CUTOUT



NOTES:

- DIMENSIONS ARE INCHES [ mm ].
- QUICK CONNECT PUSH-IN WIRE TERMINALS FOR 18 AWG SOLID OR TWIST & TIN OR SOLDER DIPPED WIRE, STRIPPED 3/8". MAXIMUM 6.5 LBS. CONDUCTOR INSERTION FORCE.
- SNAP-IN MOUNT INTO A .025-.040 IN. [ 0.6-1 mm ] PANEL THICKNESS; 2 SCREW HOLES ON BASE FOR SECURE MOUNTING.
- TWO WIRE PORTS PER TERMINAL FOR EASIER WIRING OF MULTIPLE LAMPHOLDER CIRCUITS.
- c UL US LISTED; c CSA US CERTIFIED.
- RATED 75W MAX., 600V MAX.
- PACKAGING: SEALED IN POLYBAG.
- DIMENSIONAL TOLERANCES: ±0.05", ±0.010".

1	12/01/09 RELEASE TO PRODUCTION PER DCN 16198	CAC CAC	
SYM	REVISIONS	APP	DATE

THE DESIGN AND DIMENSIONS OF THE PRODUCT SHOWN ON THIS DRAWING ARE SUBJECT TO CHANGE WITHOUT NOTICE

TITLE  
COMPACT FLUORESCENT LAMPHOLDER, 18-55W 2G11, 90° HORZ SNAP IN

TOLERANCES UNLESS OTHERWISE SPECIFIED FRACTIONS ± 1/64 DECIMALS ± .005 ANGLES ± 2°	WIRING DEVICE-KELLEMS HUBBELL INCORPORATED BRIDGEPORT, CT	
	DR. BY DLI	APP. BY CAC
	TR. BY	SCALE NONE
	CHK'D BY	DATE 04/01/09