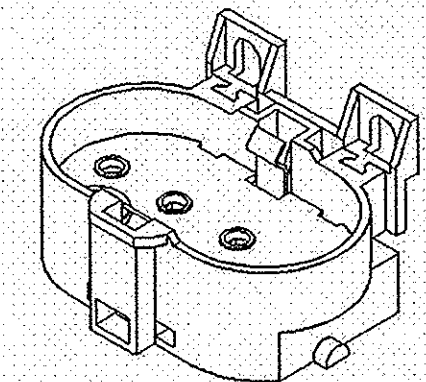
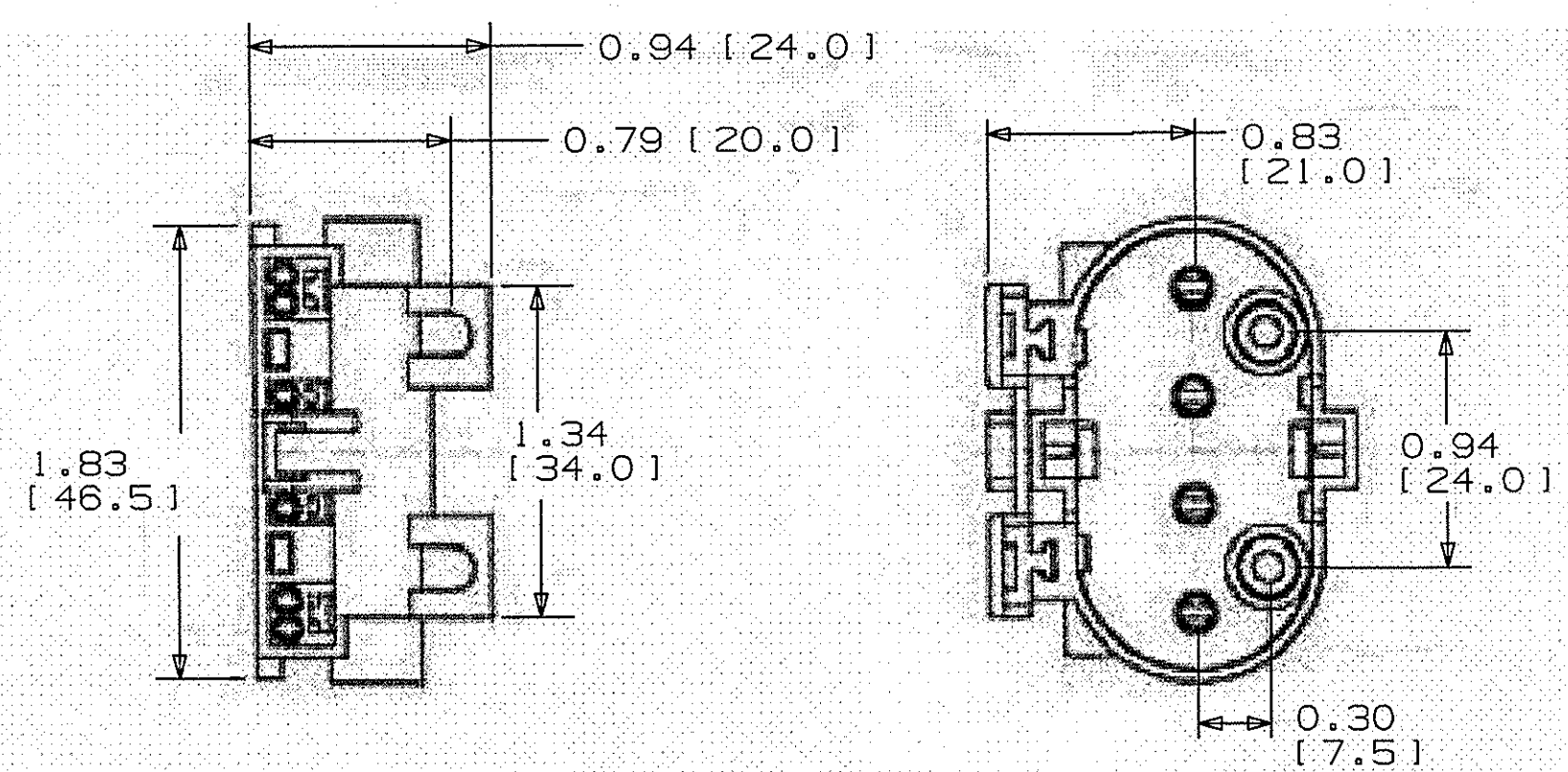


M11277 | 1



NOTES:

1. DIMENSIONS ARE INCHES [mm].
2. WHITE POLYCARBONATE BODY.
3. QUICK CONNECT PUSH-IN WIRE TERMINALS FOR 18 AWG SOLID OR TWIST & TIN OR SOLDER DIPPED WIRE, STRIPPED 3/8". MAXIMUM 6.5 LBS. CONDUCTOR INSERTION FORCE.
4. MOUNTS USING 2 SCREW HOLES LOCATED IN BASE LEGS.
5. TWO WIRE PORTS PER TERMINAL FOR EASIER WIRING OF MULTIPLE LAMPHOLDER CIRCUITS.
6. c UL US LISTED; c CSA US CERTIFIED.
7. RATED 75W MAX, 600V MAX.
8. PACKAGING: SEALED IN POLYBAG.
9. DIMENSIONAL TOLERANCE $\pm 0.05"$, $\pm 0.010"$

LIST OF PARTS

DESCRIPTION	MATERIAL	FINISH
BODY	PLASTIC	WHITE

1	12/01/09 RELEASE TO PRODUCTION PER DCN 16198	CAC CAC	
SYM	REVISIONS	APP	DATE

THE DESIGN AND DIMENSIONS OF THE PRODUCT SHOWN ON THIS DRAWING ARE SUBJECT TO CHANGE WITHOUT NOTICE

TITLE
COMPACT FLUORESCENT LAMPHOLDER, 18-55W 2G11, HORZ SCREW MNT

TOLERANCES UNLESS OTHERWISE SPECIFIED FRACTIONS $\pm 1/64$ DECIMALS $\pm .005$ ANGLES $\pm 2'$	WIRING DEVICE-KELLEMS HUBBELL INCORPORATED BRIDGEPORT, CT	
	DR. BY DLI	APP. BY CAC
	TR. BY	SCALE NONE
	CHK'D BY	DATE 04/01/09

DIMENSION SHEET FOR CAT. NO. RL42G11HSM REPAIRABLE NON-REPAIRABLE B M11277 1