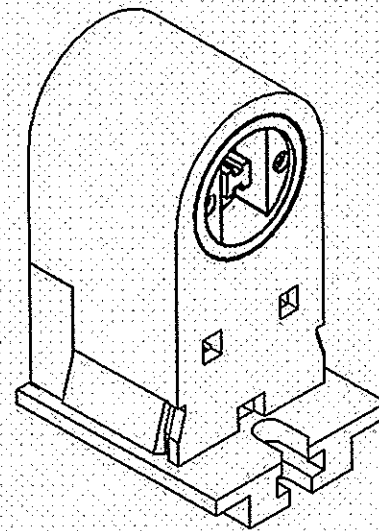
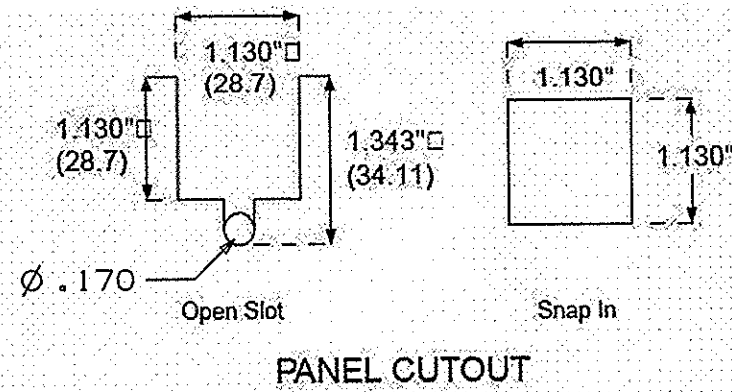
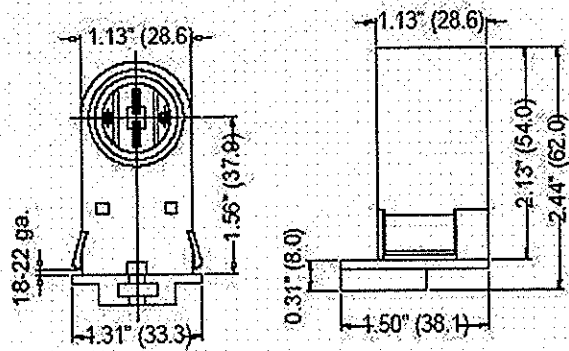


M11280 1



NOTES:

1. DIMENSIONS ARE INCHES [mm].
2. MADE FROM POLYCARBONATE. FLEXIBLE SNAP-IN WINGS FOR QUICK EASY INSERTION INTO PANEL.
3. FOR 60-112W, T17/12/10J LAMPS. QUICK CONNECT PUSH-IN WIRE TERMINALS ACCEPT 18 AWG SOLID OR SOLDER DIPPED LEADS, STRIPPED 3/8". MAXIMUM 6.5 LBS. CONDUCTOR INSERTION FORCE.
4. ACCOMMODATE PANEL THICKNESS .036-.048 IN. [.91 - 1.21mm]
5. c UL US LISTED; c CSA US CERTIFIED.
6. RATED 660W MAX., 600V MAX. FIX END.
7. FOR USE WITH R17D BASE FOR HIGH OUTPUT LAMP RL357.
8. PACKAGING: SEALED IN POLYBAG.
9. DIMENSIONAL TOLERANCES: $\pm 0.05''$, $\pm 0.010''$.

LIST OF PARTS

DESCRIPTION	MATERIAL	FINISH
LAMPHOLDER	PLASTIC	WHITE

DIMENSION SHEET FOR CAT. NO. RL357 REPAIRABLE NON-REPAIRABLE B M11280 1

1	12/01/09 RELEASE TO PRODUCTION PER DCN 16198	CAC	CAC
SYM	REVISIONS	APP	DATE
THE DESIGN AND DIMENSIONS OF THE PRODUCT SHOWN ON THIS DRAWING ARE SUBJECT TO CHANGE WITHOUT NOTICE			
TITLE HIGH OUTPUT FLUORESCENT LAMPHOLDER, SLIDE ON TALL, FIXED END			
TOLERANCES UNLESS OTHERWISE SPECIFIED FRACTIONS $\pm 1/64$ DECIMALS $\pm .005$ ANGLES $\pm 2'$		WIRING DEVICE-KELLEMS HUBBELL INCORPORATED BRIDGEPORT, CT DR. BY DLI APP. BY CAC TR. BY SCALE NONE CHK'D BY DATE 04/01/09	