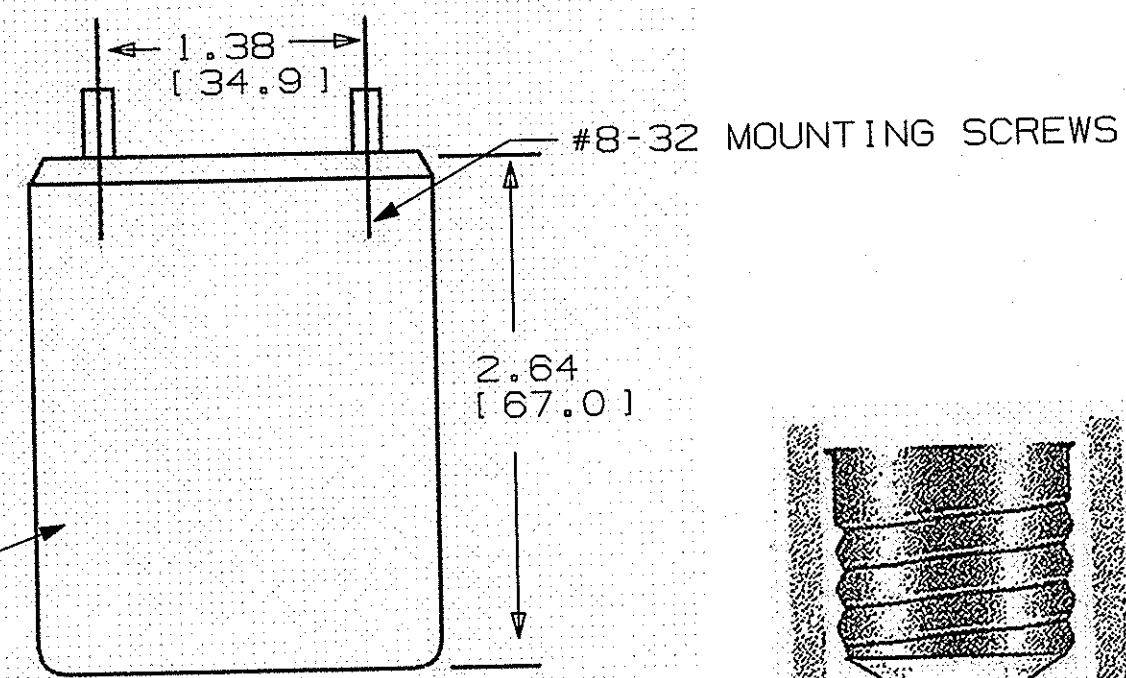
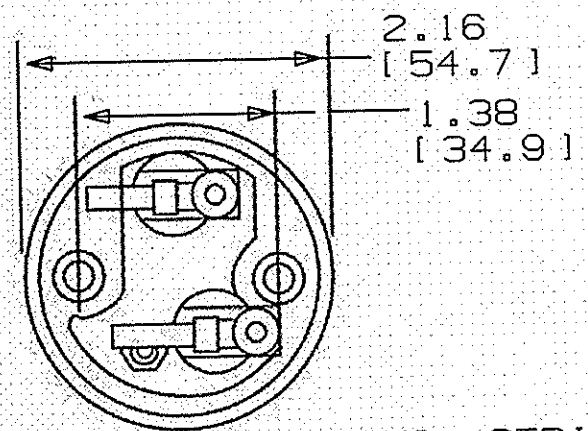
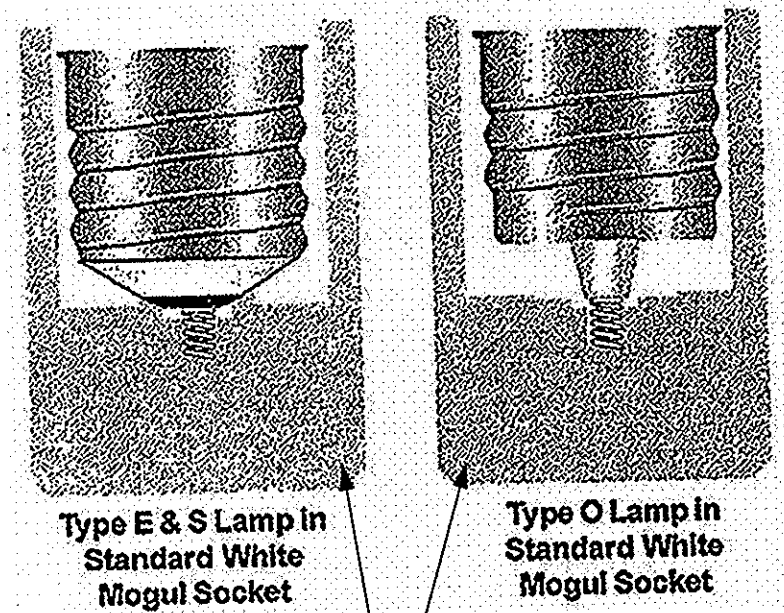


M11284 1



WHITE GLAZED  
PORCELAIN BODY  
RL4221 12 IN. LEAD WIRE TYPE  
MOGUL BASE (E39) 4KV PULSE RATED  
LAMPHOLDER

IS4221- Series  
Leads Lugged To Screws  
At Back Of Socket



NOTES:

1. DIMENSIONS ARE INCHES [ mm ].
2. LEADS ARE 16 AWG, SEW-2, 200°C 600V, 12" LONG, STRIPPED 1/2". COMES WITH #8-32" CAPTIVE SCREW.
3. UL LISTED; CSA CERTIFIED.
4. RATED 1,500W MAX., 600V MAX. INSULATOR INCLUDED.
5. PACKAGING: PRODUCT PLACED IN BOX.
6. MOGUL BASE LAMPHOLDER USED WITH ANSI TYPE "E", "S" AND "O" RATED LAMPS. THESE SOCKETS TO BE USED FOR METAL HALIDE HID LAMPS IN INDOOR LUMINAIRES WITH ENCLOSED OPTICS.

CODE 74545

LIST OF PARTS

DESCRIPTION	MATERIAL	FINISH
LAMPHOLDER	PORCELAIN	WHITE
INSULATOR	FIBER	
CENTRE CONTACT	STAINLESS STEEL	
SCREW SHELL	COPPER ALLOY	NICKEL-PL

DIMENSION SHEET FOR CAT. NO.

RL4221

REPAIRABLE

NON-REPAIRABLE

B

M11284

1

1	12/01/09 RELEASE TO PRODUCTION PER DCN 16198	CAC CAC	
SYM	REVISIONS	APP	DATE

THE DESIGN AND DIMENSIONS OF THE PRODUCT SHOWN ON THIS DRAWING ARE SUBJECT TO CHANGE WITHOUT NOTICE

TITLE MOGUL BASE LAMPHOLDER  
4KV PULSE RATING  
12" LEADS SCW MNT

TOLERANCES UNLESS OTHERWISE SPECIFIED FRACTIONS ± 1/64 DECIMALS ± .005 ANGLES ± 2°	WIRING DEVICE-KELLEMS HUBBELL INCORPORATED BRIDGEPORT, CT	
	DR. BY DLI	APP. BY
	TR. BY	SCALE NONE
	CHK'D BY	DATE 04/01/09