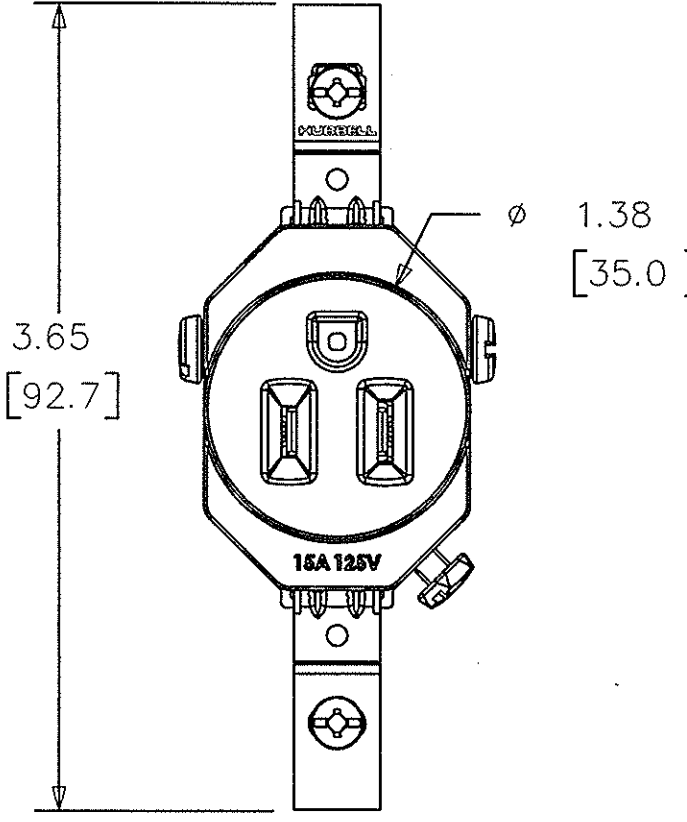
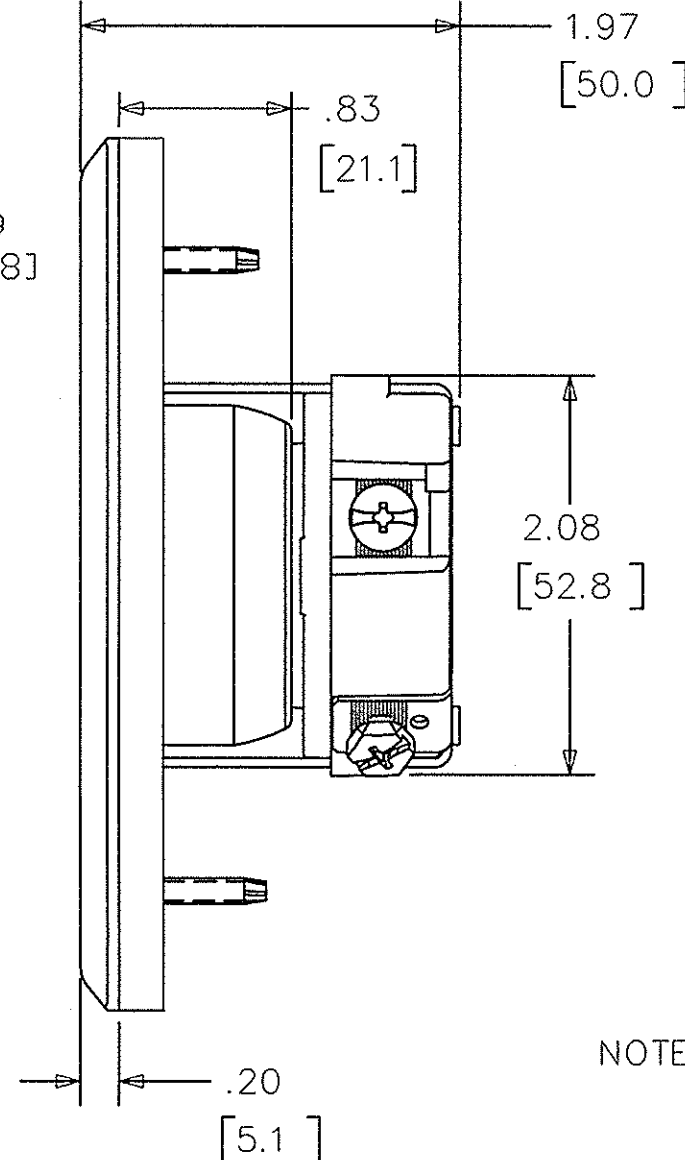
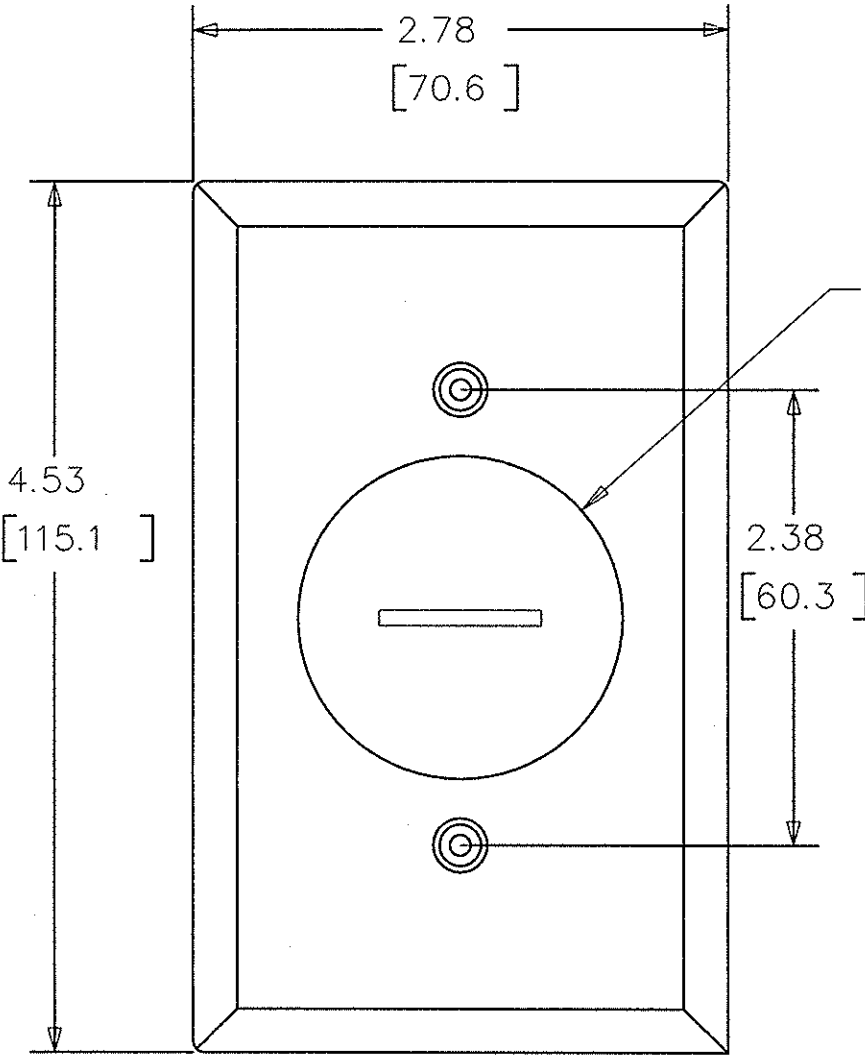
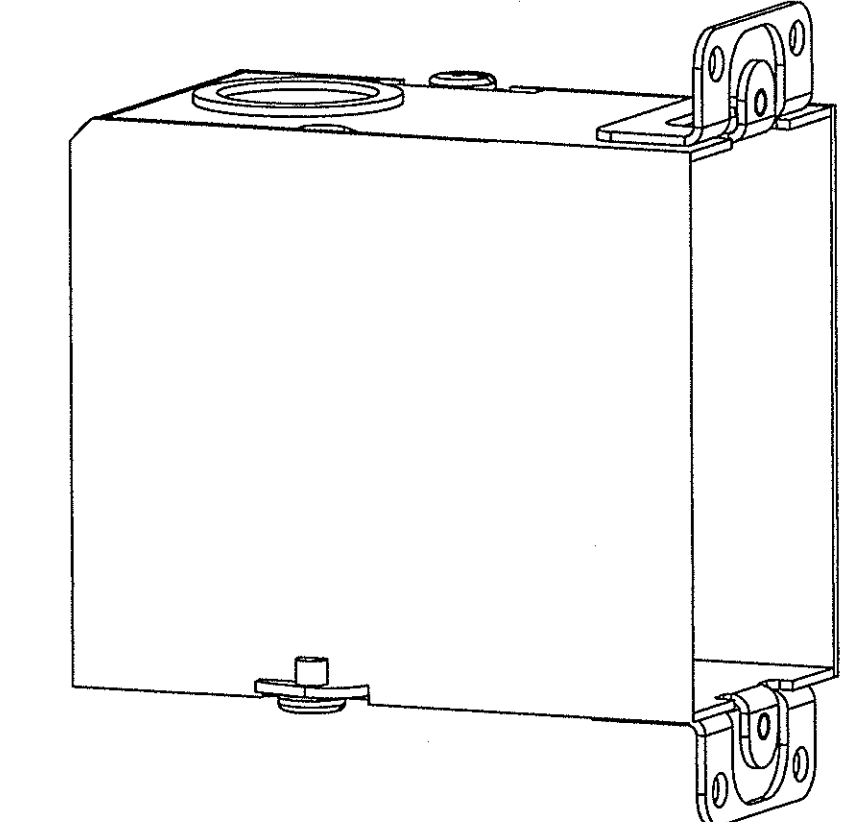


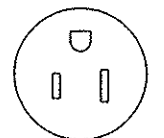
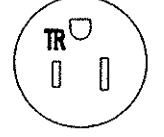
M-11494 1



NOTES: (UNLESS OTHERWISE SPECIFIED)
 1. DRAWING IS IN INCHES [MM].
 2. MOUNTING SCREWS (2) PROVIDED.



CODE. 74545

CATALOG NO.	CONFIG	FINISH
RF151	 15A-125VAC	BRASS COVER NON TAMPER RESISTANT RECEPTACLE
RF151TR	 15A-125VAC	BRASS COVER TAMPER RESISTANT RECEPTACLE

LIST OF PARTS		
DESCRIPTION	MATERIAL	FINISH
WALL PLATE & SCREWS	BRASS	
THD'D COVER W/O-RING	BRASS	
DRIVE SCREWS	STEEL	ZINC PLATE
GROUND STRAP	STEEL	ZINC PLATE
TERMINALS	BRASS	
RECEPT. MOUNTING SCREWS	STEEL	ZINC PLATE
BASE	PLASTIC	
ELECTRICAL BOX	STEEL	ZINC PLATE
WALL PLATE GASKET	NEOPRENE	

REPAIRABLE	NON-REPAIRABLE
<input checked="" type="checkbox"/>	<input type="checkbox"/>

1	NEW RELEASE PER DCN 16577 SPN	CZH	5/03/10
SYM	REVISIONS	APP	DATE

THE DESIGN AND DIMENSIONS OF THE PRODUCT SHOWN ON THIS DRAWING ARE SUBJECT TO CHANGE WITHOUT NOTICE

TITLE 15A 125VAC
SINGLE RECEPTACLE FLOOR BOX FOR WOOD FLOORS

TOLERANCES UNLESS OTHERWISE SPECIFIED	WIRING DEVICE-KELLEMS HUBBELL INCORPORATED BRIDGEPORT, CT	
FRACTIONS ±1/64	DR. BY SPN	APP. BY CZH
DECIMALS ±.005	TR. BY	SCALE NONE
ANGLES ±2'	CHK'D BY CZH	DATE 5/03/10

DIMENSION SHEET FOR CAT. NO. M-11494
 REPAIRABLE NON-REPAIRABLE
 B
 M-11494
 1